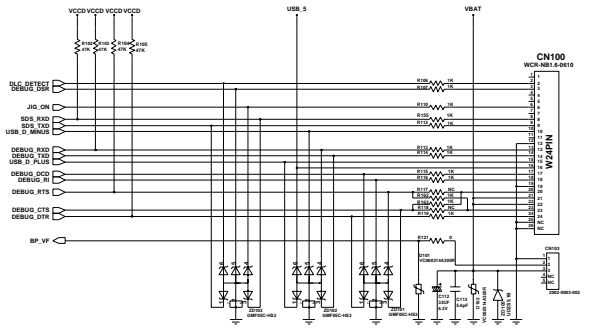
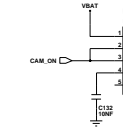


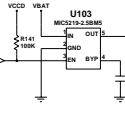
PSC2106A



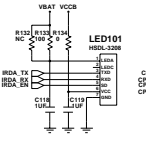
I/F CON



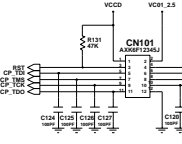
PSC2106A



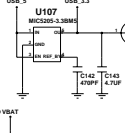
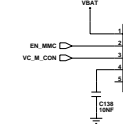
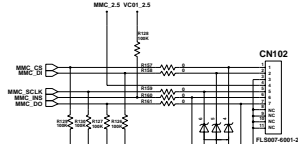
IRDA



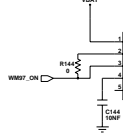
JTAG CON



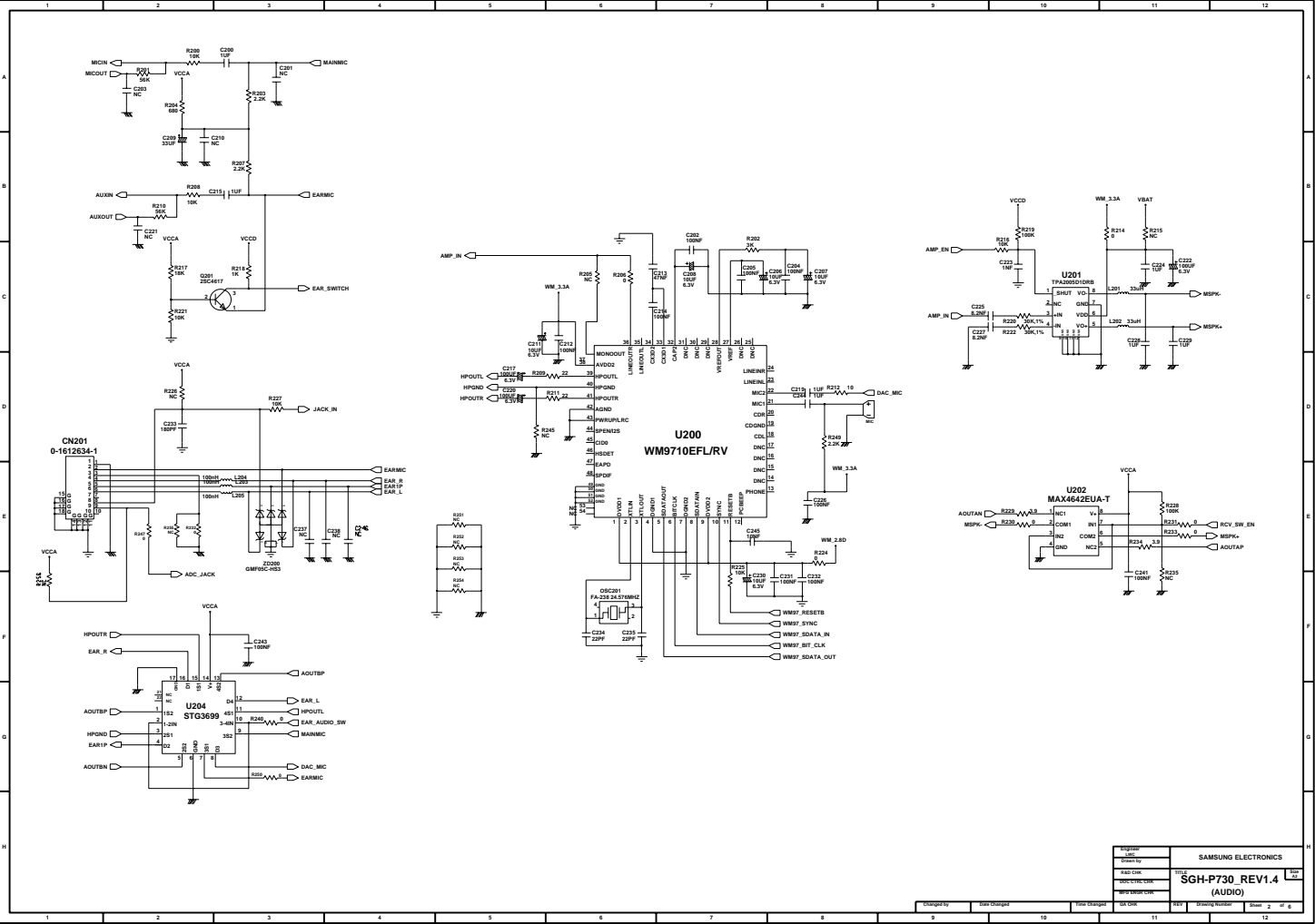
RS_MMC



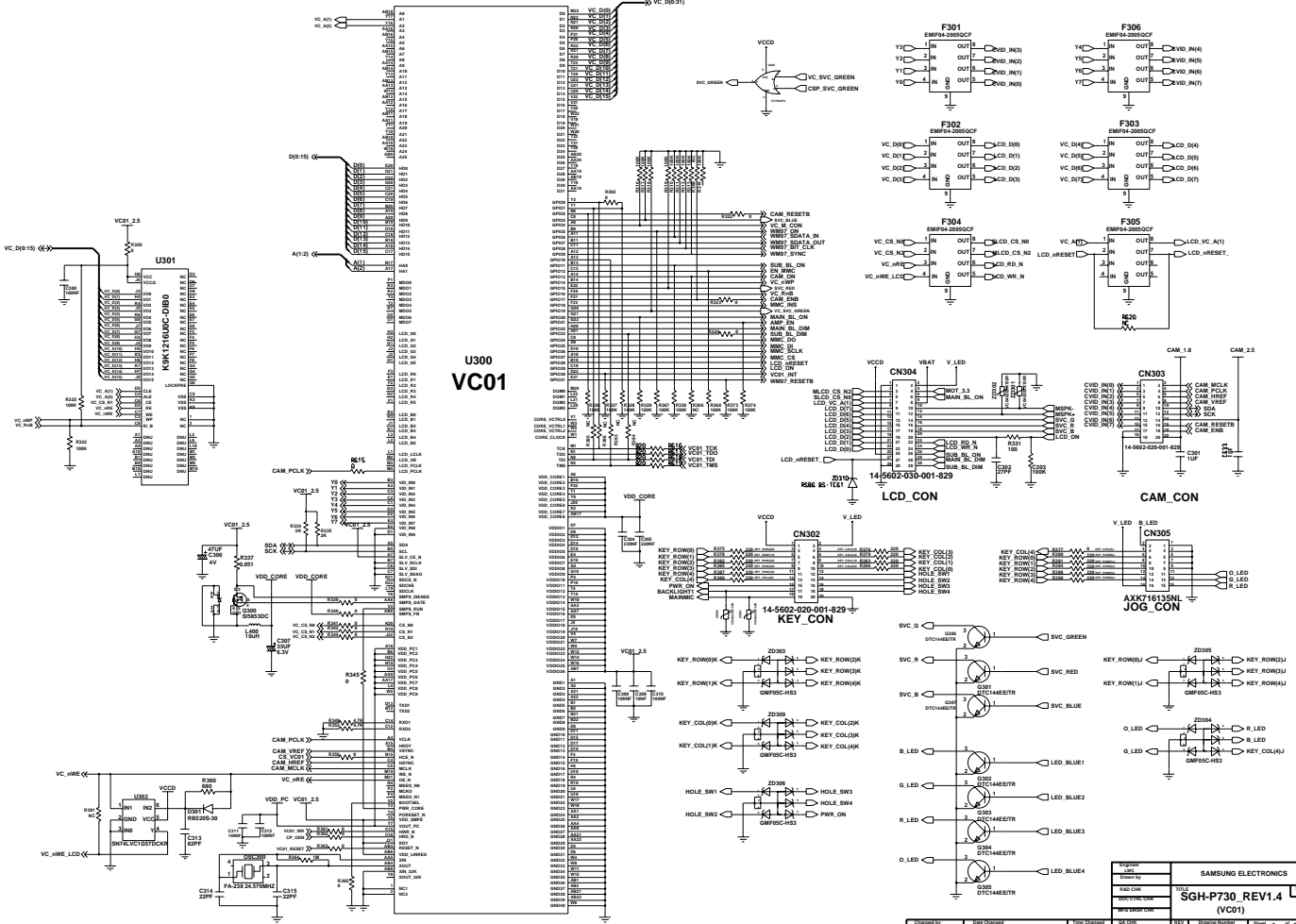
Sheet1 : PSC2106 & I/F CON
Sheet2 : AUDIO
Sheet3 : VC01
Sheet4 : TRIDENT
Sheet5 : CSP1093
Sheet6 : RF



Company	DAE Yongseong	2004.01.20	Yong Yongseong
Product	SGH-P730	Rev1.4	
Sheet		1	4
SAMSUNG ELECTRONICS SGH-P730_REV1.4 (PSC/I/F CON)			
Design		Check	Test
Draw		Appr	
Spec		Assy	



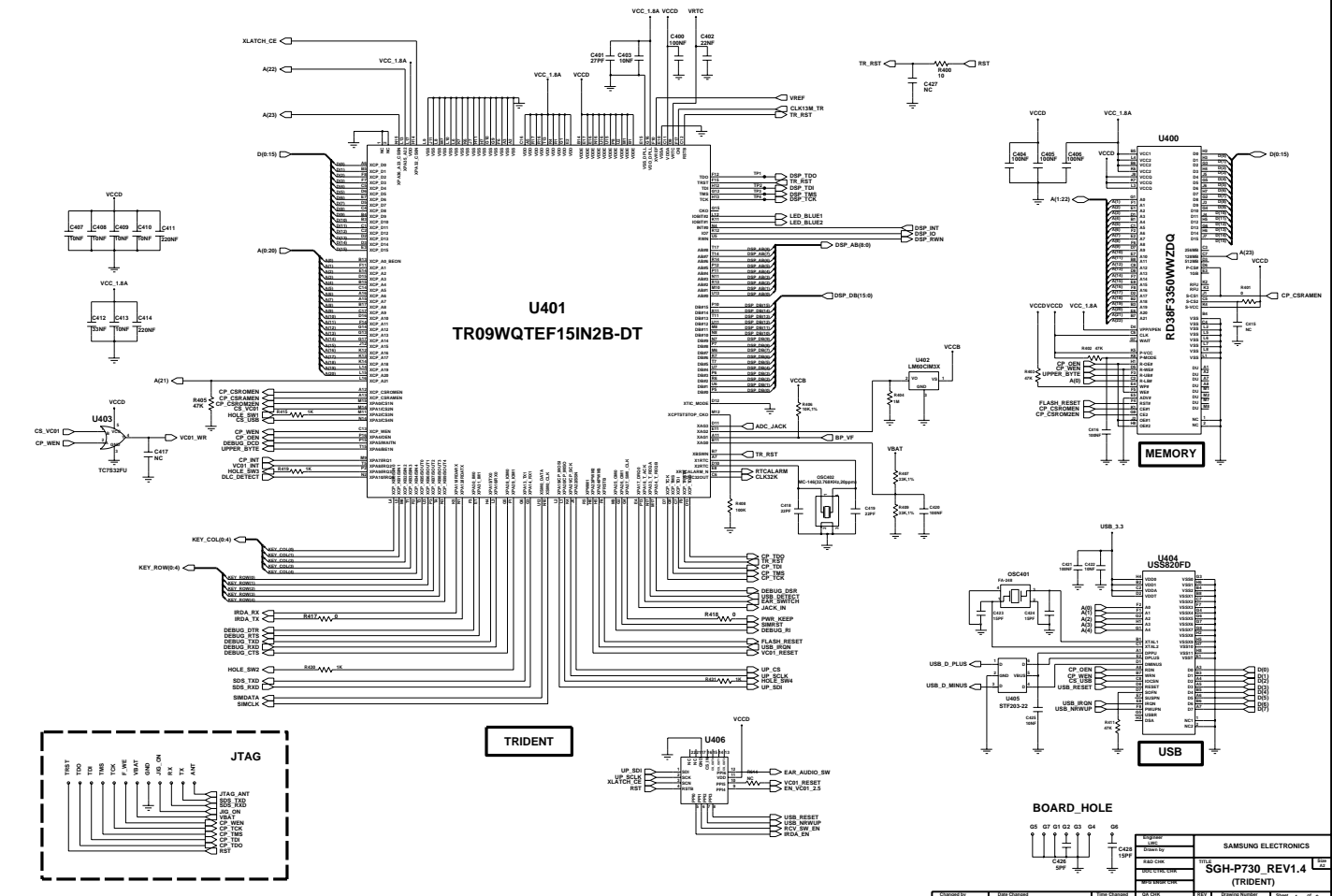
Original No.	Doc No.	Date	Version	Doc No.	Page No.	Page
				SAMSUNG ELECTRONICS		
				SGH-P730_REV1.4		
				(AUDIO)		



**U300
VC01**

SAMSUNG ELECTRONICS	
Part No.	SGH-P730_REV1.4
Rev. No.	(VC01)
DATE	
DESIGNER	DATE
DESIGN CHECK	
DESIGN APPROVE	
DATE	

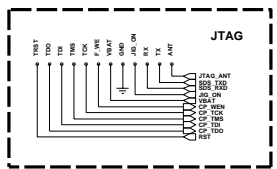
U401 TR09WQTEF15IN2B-DT



Rev	Issue	Date	Author
1.0	Initial Release	2011-01-11	SAMSUNG ELECTRONICS
1.1	Minor Corrections	2011-01-11	SAMSUNG ELECTRONICS
1.2	Minor Corrections	2011-01-11	SAMSUNG ELECTRONICS
1.3	Minor Corrections	2011-01-11	SAMSUNG ELECTRONICS
1.4	Minor Corrections	2011-01-11	SAMSUNG ELECTRONICS

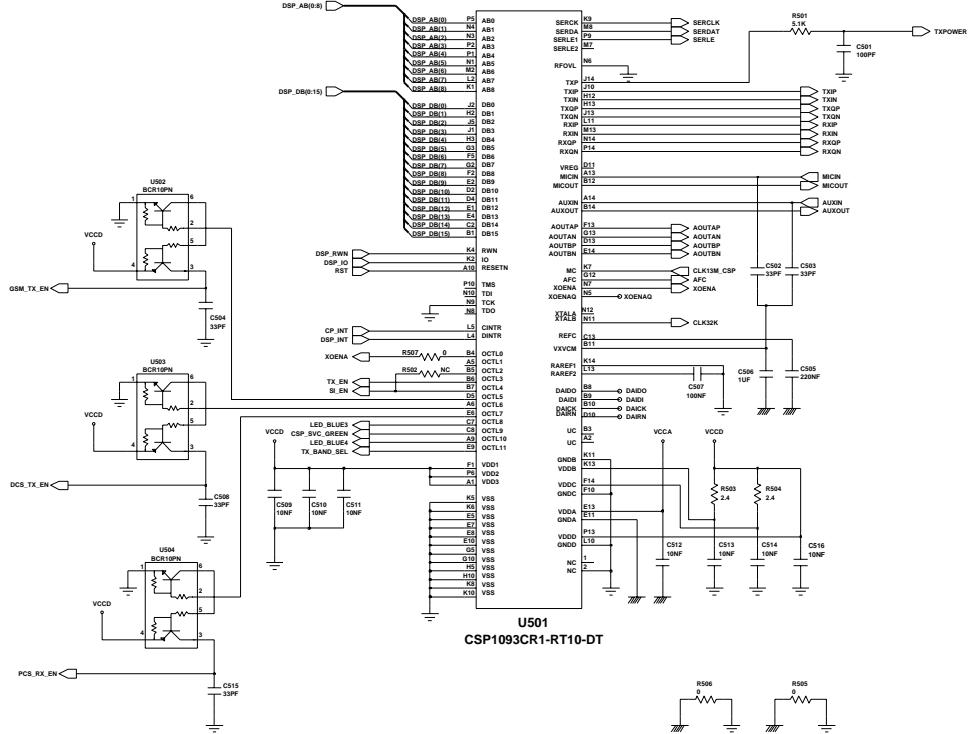
SAMSUNG ELECTRONICS
SGH-P730_REV1.4
 (TRIDENT)

TRIDENT

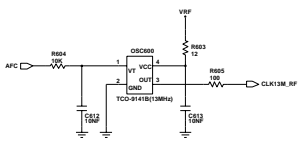


MEMORY

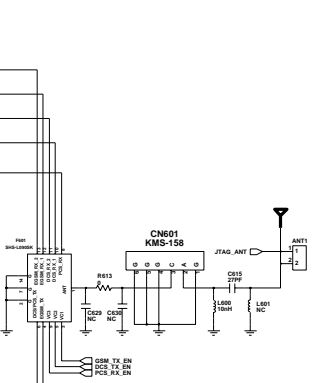
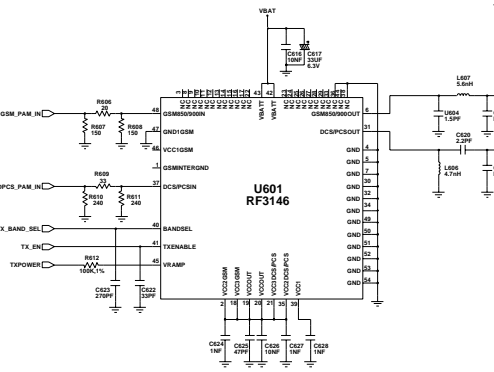
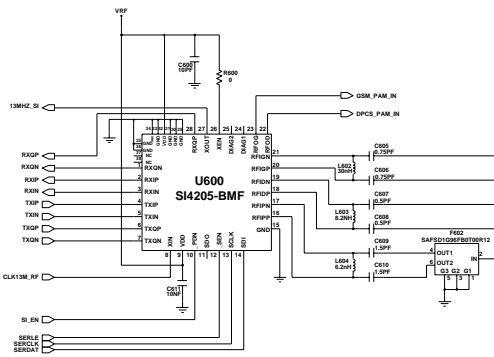
USB



Engineer LWC	SAMSUNG ELECTRONICS	
Drawn by		
R&D CHK	TITLE	Size
DDC CTRL CHK	SGH-P730_REV1.4	A3
WFS ENDR CHK	(CSP1093)	



TCXO (13MHz)



ORDER NUMBER	SAMSUNG ELECTRONICS
ORDER CODE	SGH-P730_REV1.4
REV	(RF)
DATE	
DESIGNED BY	
DATE CHANGED	
ISSUED BY	
DATE	
REV	
ISSUED BY	
DATE	
REV	