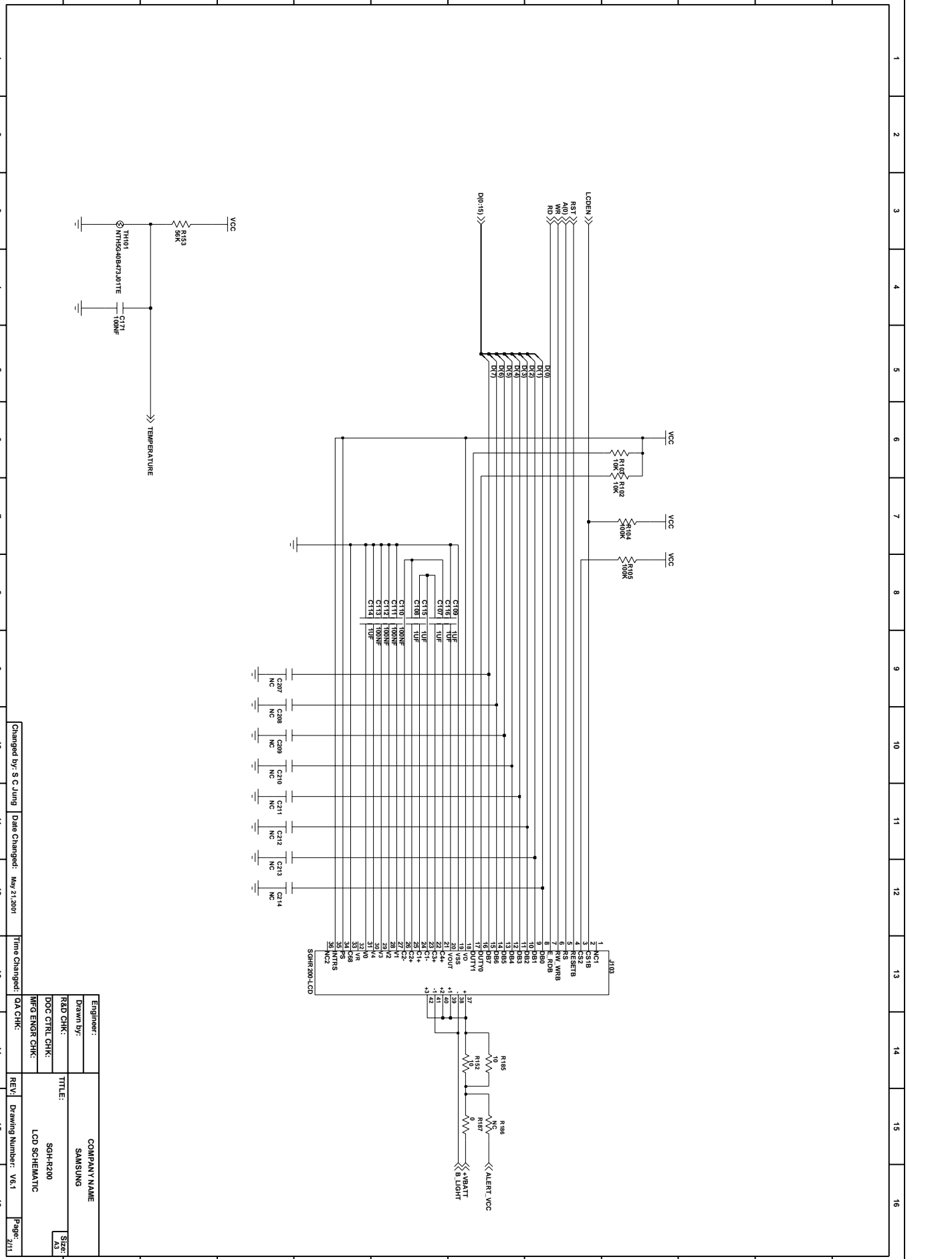


Changed by: S C Jung	Date Changed: May 21, 2001	Time Changed:												
<table border="1"> <tr> <td>Engineer: PBH</td> <td>COMPANY NAME</td> </tr> <tr> <td>Drawn By:</td> <td>SAMSUNG</td> </tr> <tr> <td>R&amp;D CHK:</td> <td></td> </tr> <tr> <td>DOC CTRL CHK:</td> <td></td> </tr> <tr> <td>MFG ENGR CHK:</td> <td></td> </tr> <tr> <td>QA CHK:</td> <td></td> </tr> </table>			Engineer: PBH	COMPANY NAME	Drawn By:	SAMSUNG	R&D CHK:		DOC CTRL CHK:		MFG ENGR CHK:		QA CHK:	
Engineer: PBH	COMPANY NAME													
Drawn By:	SAMSUNG													
R&D CHK:														
DOC CTRL CHK:														
MFG ENGR CHK:														
QA CHK:														
<table border="1"> <tr> <td>TITLE:</td> <td>SG9H-R200</td> </tr> <tr> <td>SIZE:</td> <td>A3</td> </tr> <tr> <td>POWER MANAGEMENT &amp; SIM INTERFACE</td> <td></td> </tr> <tr> <td>REV:</td> <td>Drawing Number: V6.1</td> </tr> <tr> <td>Page:</td> <td>1/11</td> </tr> </table>			TITLE:	SG9H-R200	SIZE:	A3	POWER MANAGEMENT & SIM INTERFACE		REV:	Drawing Number: V6.1	Page:	1/11		
TITLE:	SG9H-R200													
SIZE:	A3													
POWER MANAGEMENT & SIM INTERFACE														
REV:	Drawing Number: V6.1													
Page:	1/11													

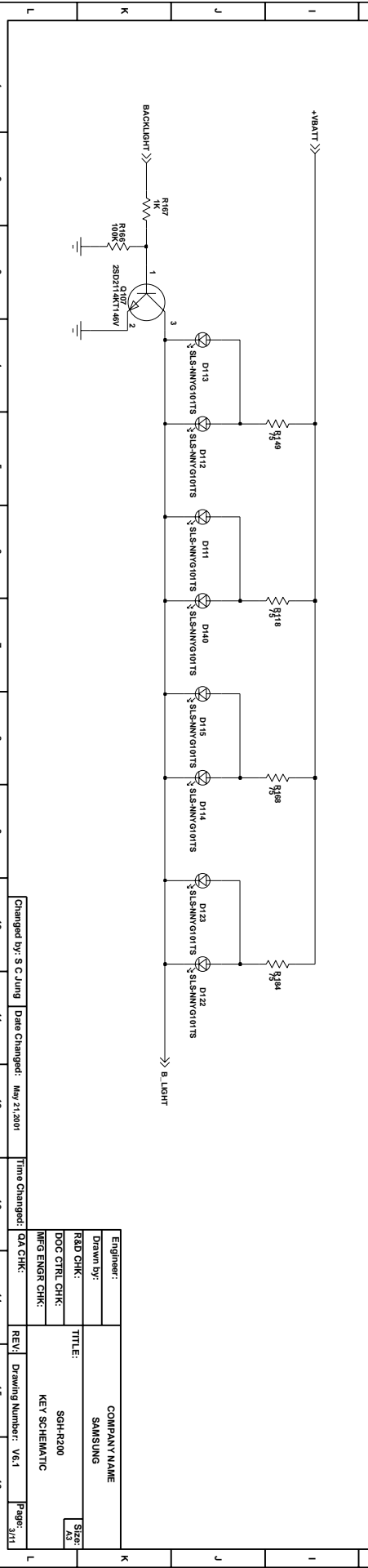
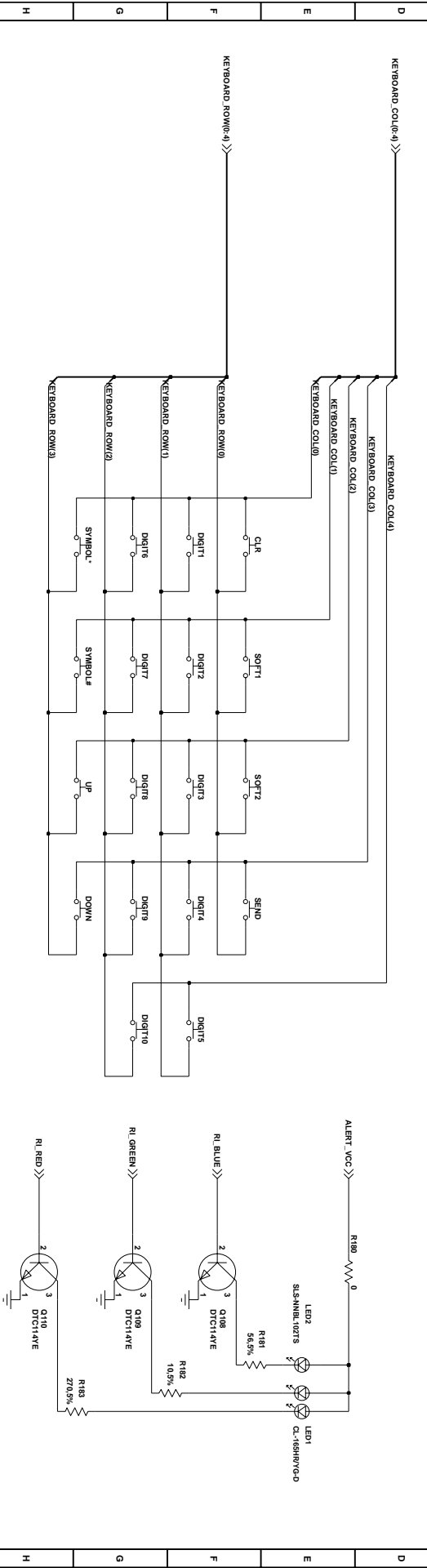
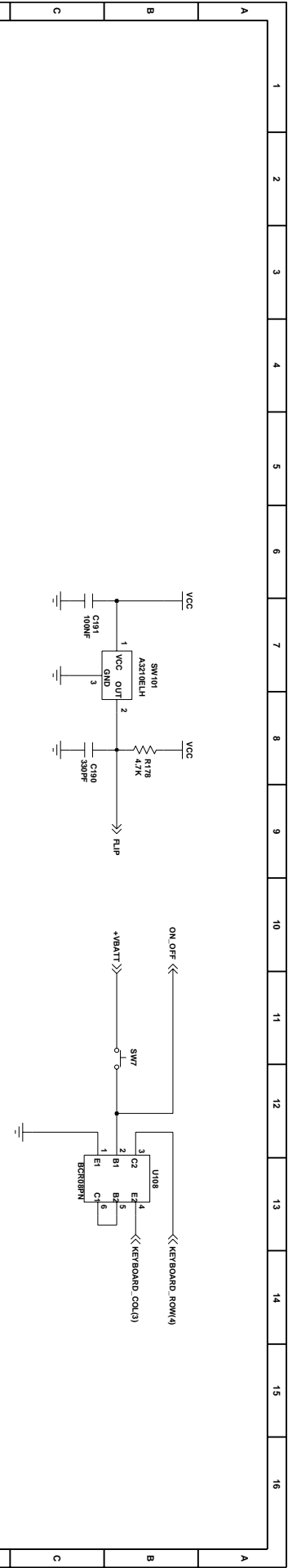
H101  
 ANTENNA POUND HOLE



Changed by: S.C. Jung | Date Changed: May 21, 2001

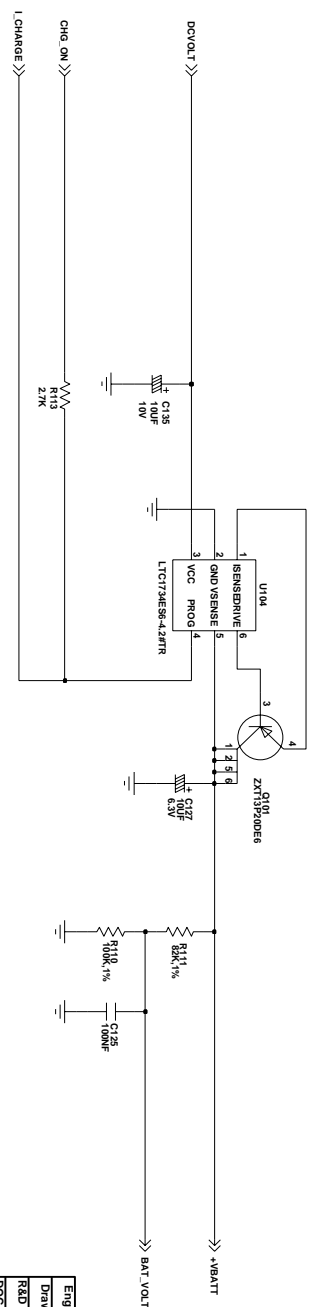
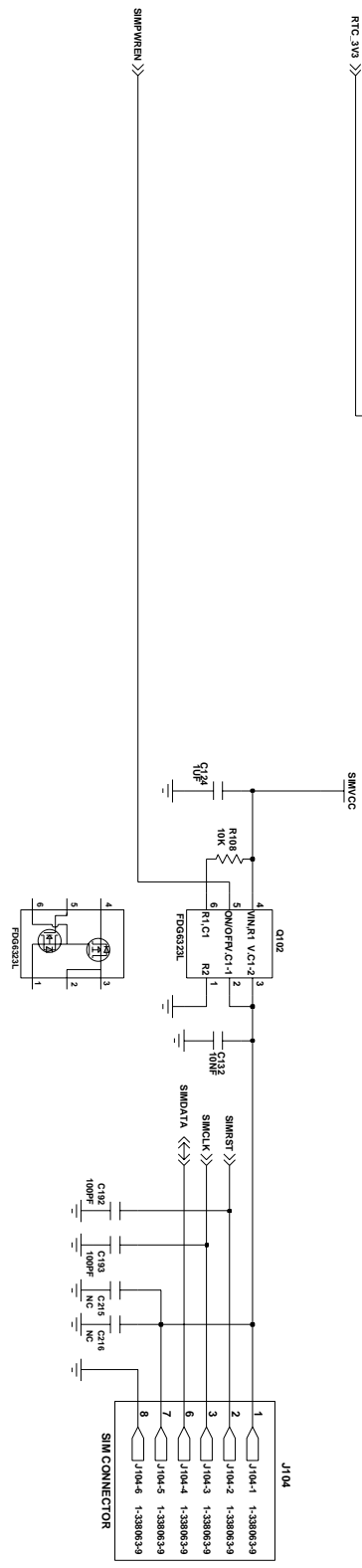
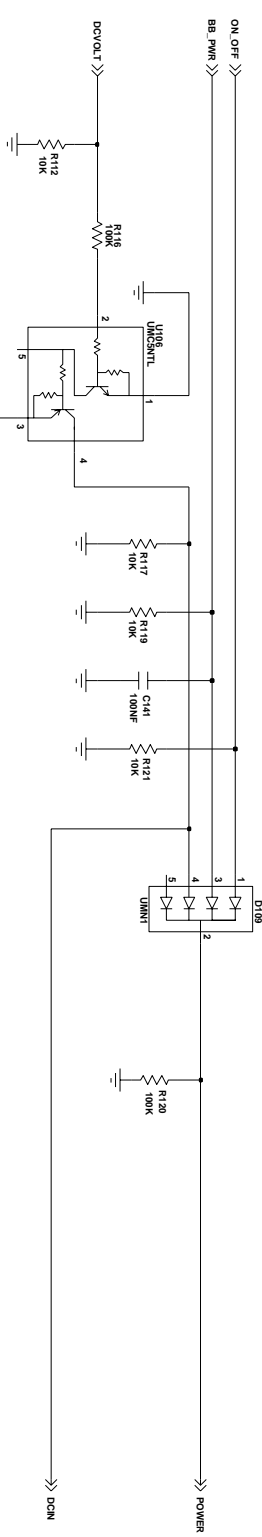
Time Changed:

Engineer:	COMPANY NAME
Drawn By:	SAMSUNG
R&D CHK:	
DOC CTRL CHK:	TITLE:
MFG ENGR CHK:	SGHR200
	LCD SCHEMATIC
REV:	Drawing Number: V6.1
	Page: 2/11

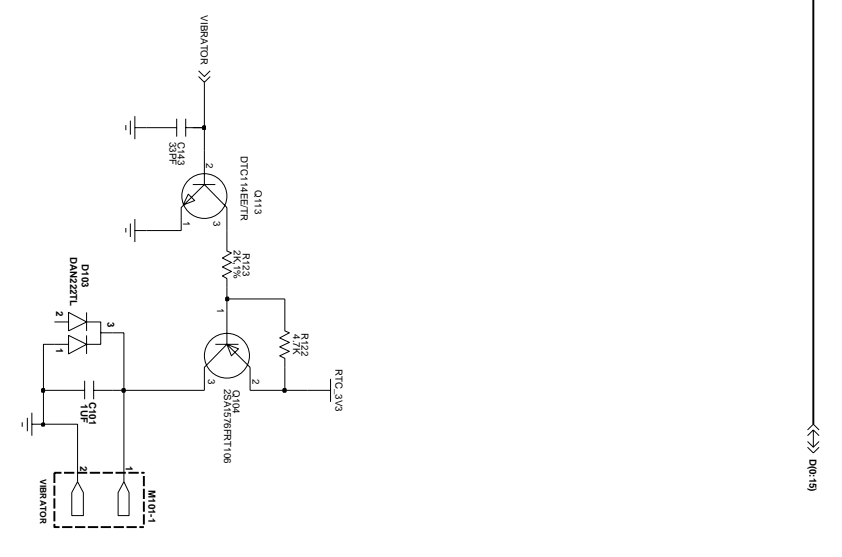
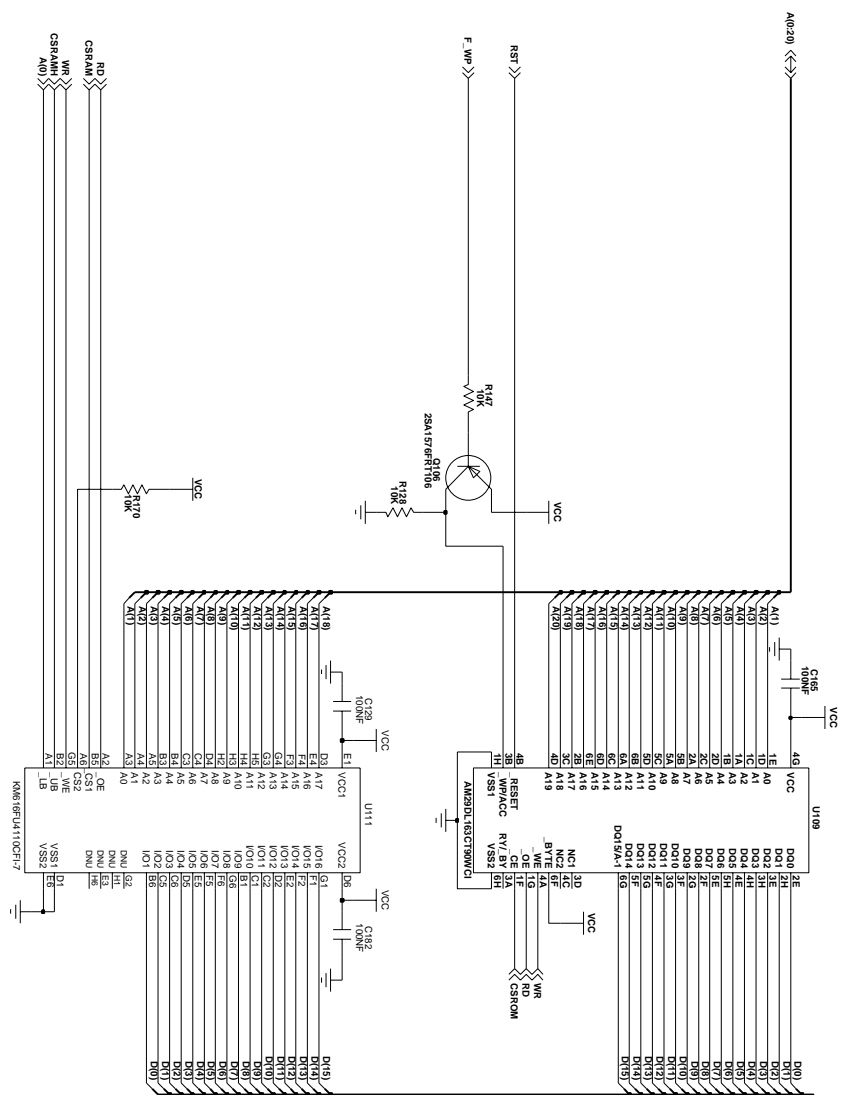


Changed by: S.C. Jung | Date Changed: May 21, 2001 | Time Changed: |

Engineer:	COMPANY NAME
Drawn by:	SAMSUNG
R&D CHK:	
DOC CTRL CHK:	
MFG ENGR CHK:	
QA CHK:	
REV:	Drawing Number: V6.1
SIZE:	KEY SCHEMATIC
31/1	



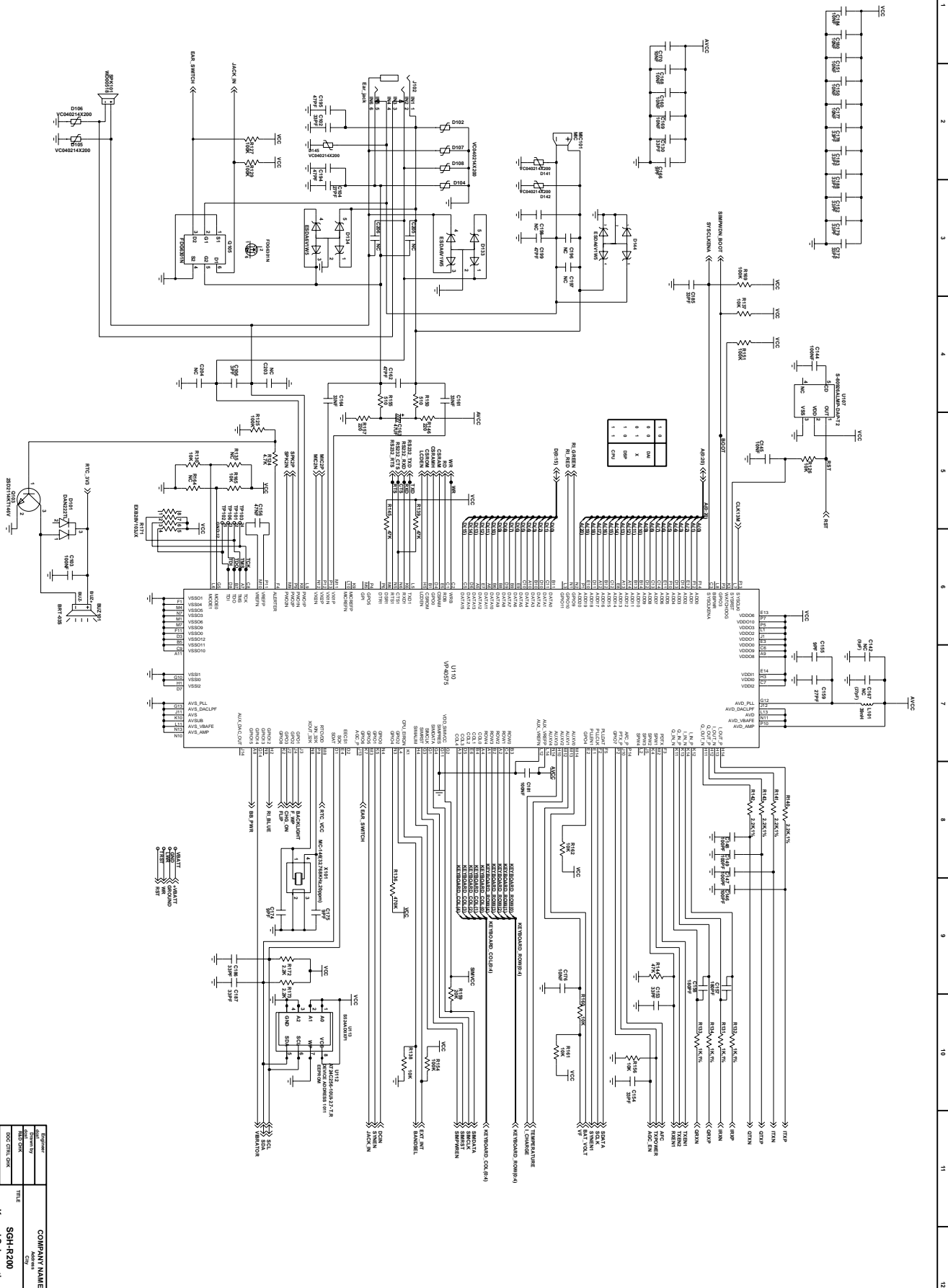
Changed by: S.C. Jung		Date Changed: May 21, 2001		Time Changed:	
QA CHK:		REV:		Drawing Number: V6.1	
Engineer: COMPANY NAME		TITLE: SG9H-R200		SIZE: A3	
Drawn By: SAMSUNG		MFG ENGR CHK:		PAGE: 4/11	
RAD CHK:		SIM & CHARGER SCHEMATIC			
DOC CTRL CHK:					



1	2	3	4	5	6	7	8	9	10	11	12	13	14	15	16
A	B	C	D	E	F	G	H	I	J	K	L				

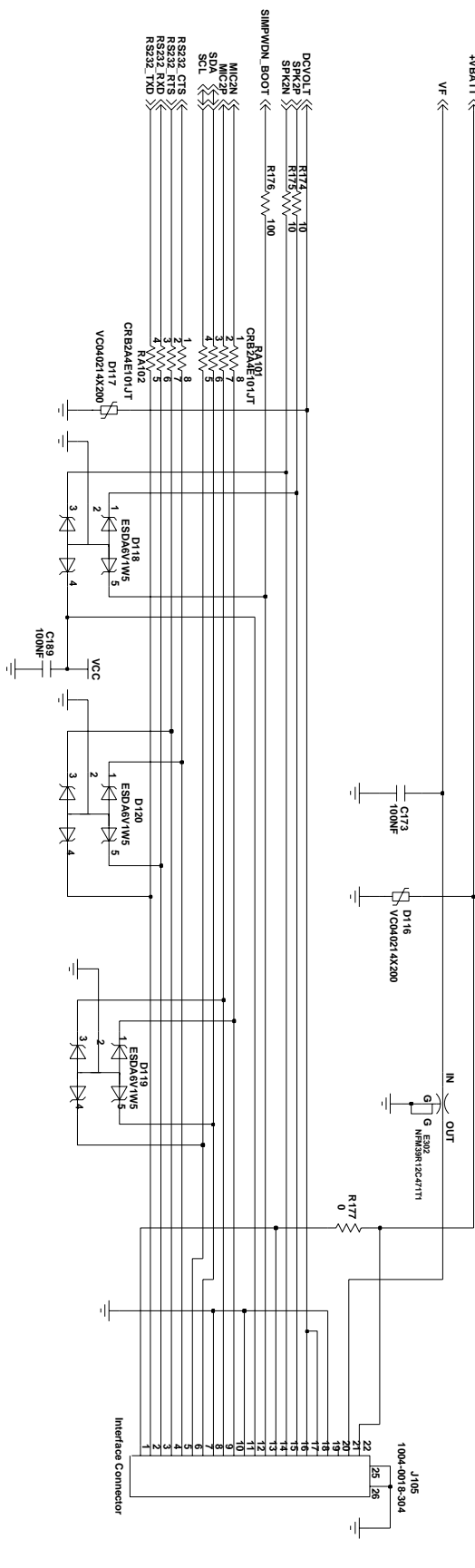
Changed by: S.C. Jung | Date Changed: May 21, 2001 | Time Changed:

Engineer:	COMPANY NAME
Drawn By:	SAMSUNG
RD CHK:	
DOC CTRL CHK:	
MFG ENGR CHK:	
QA CHK:	
TITLE:	SGH-R200
	MEMORY SCHEMATIC
REV:	Drawing Number: V6.1
Page:	5/11



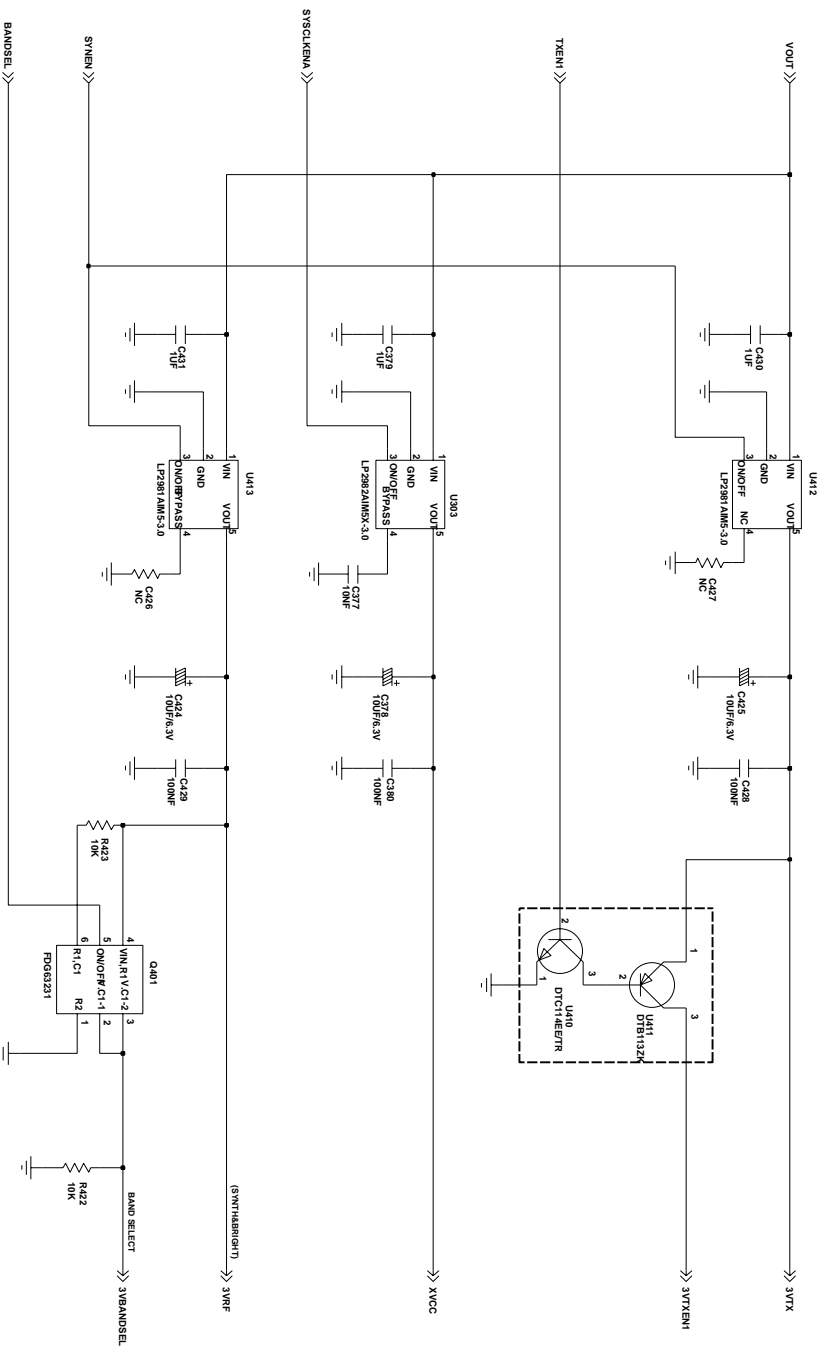
Company Name: SCH-R200  
 Title: Keyboard Schematic  
 Date: 12/12/2010  
 Author: [Name]  
 Version: 1.0

Company Name: [Blank]  
 Title: [Blank]  
 Date: [Blank]  
 Author: [Blank]  
 Version: [Blank]



Changed by: S.C. Jung | Date Changed: May 21, 2001 | Time Changed: |

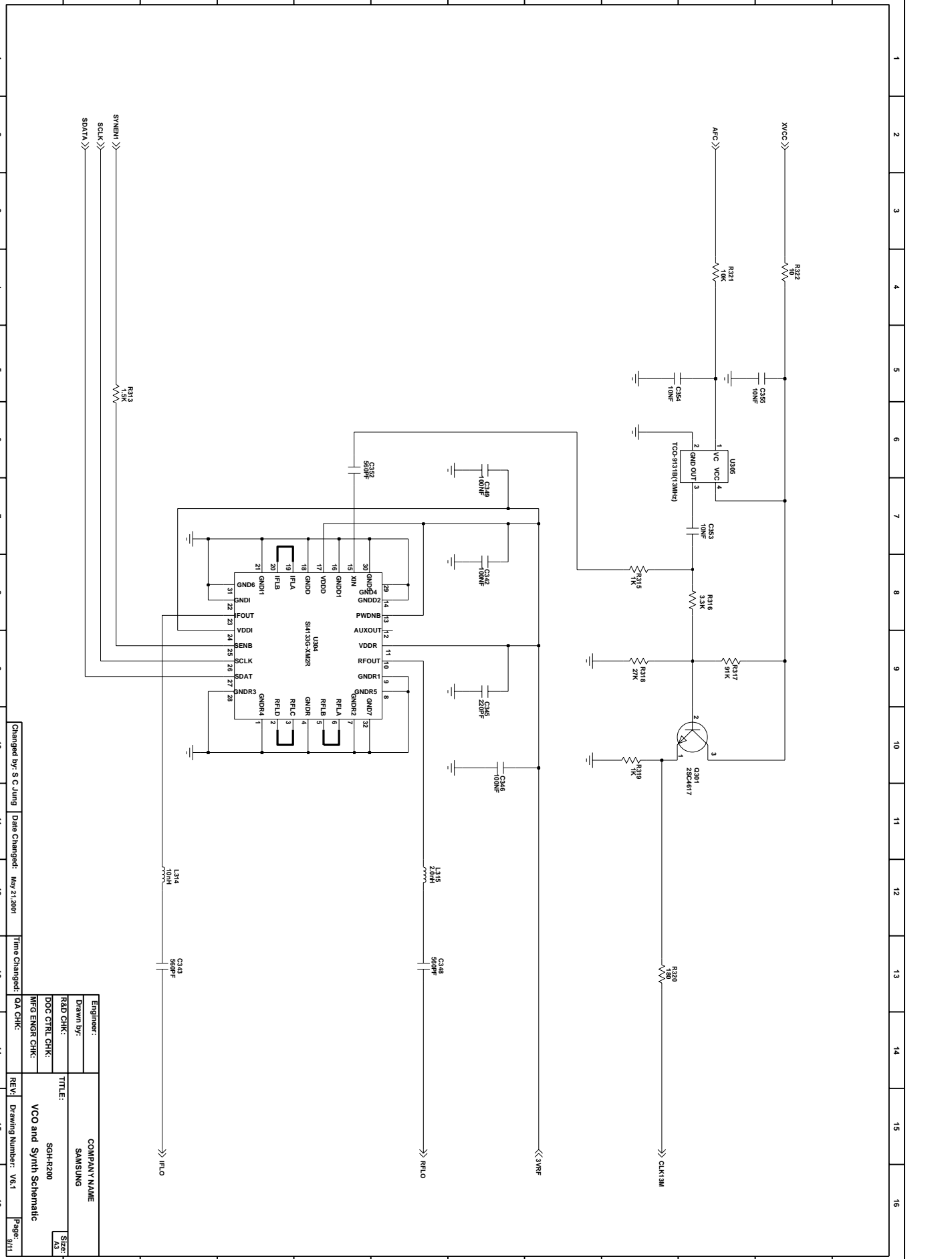
Engineer:	COMPANY NAME
Drawn By:	SAMSUNG
R&D CHK:	
DOC CTRL CHK:	
MFG ENGR CHK:	
QA CHK:	
TITLE:	SGH-R200
	INTERFACE CONNECTOR SCHEMATIC
REV:	Drawing Number: V6.1
	Page: 7/11



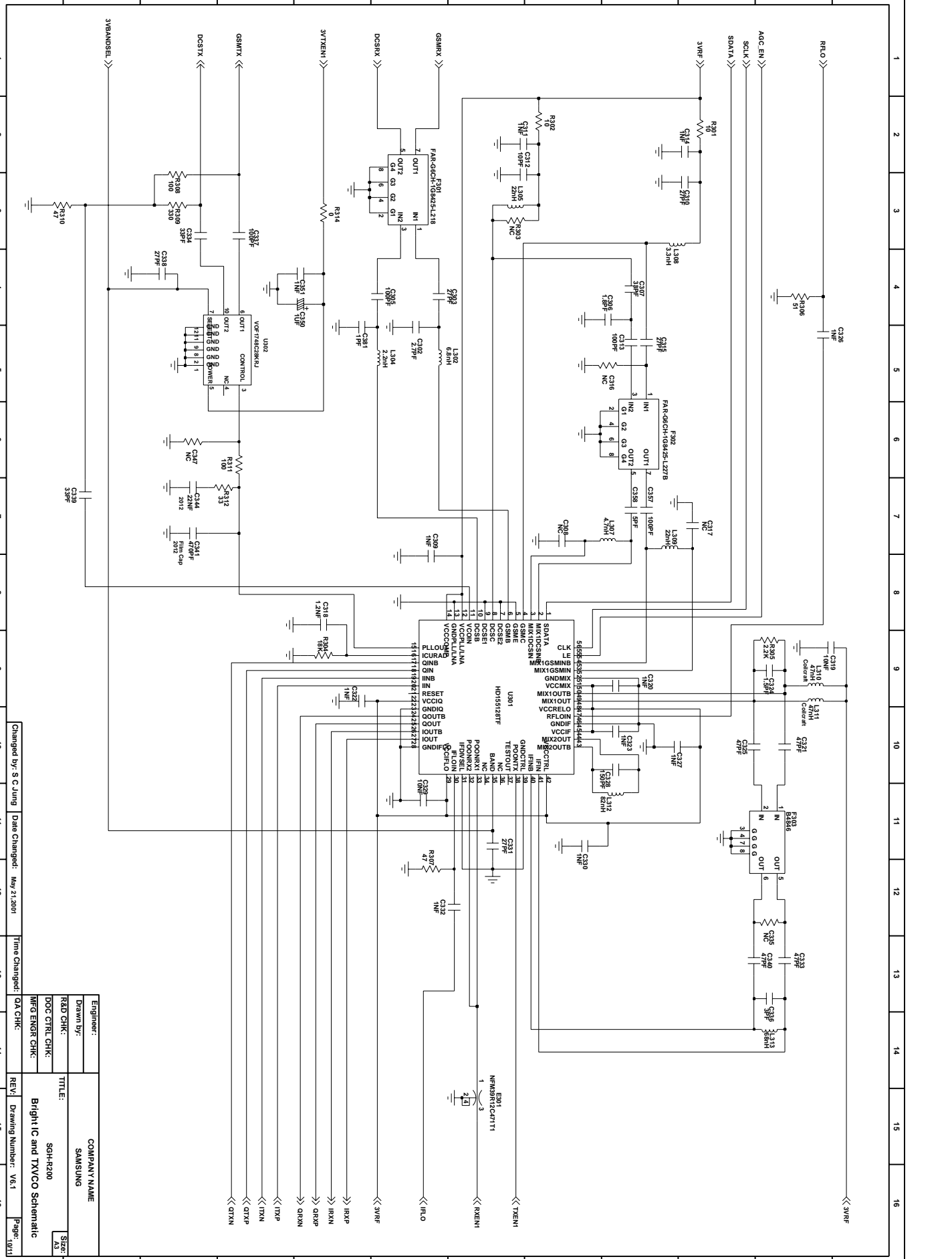
Engineer:	COMPANY NAME
Drawn By:	SAMSUNG
R&D CHK:	
DOC CTRL CHK:	
MFG ENGR CHK:	
QA CHK:	
TITLE:	SGH-R200
	RADIO PSU SCHEMATIC
REV:	Drawing Number: V6.1
Page:	8/11

Changed by:	S C Jung
Date Changed:	May 21, 2001
Time Changed:	





Changed by: S C Jung	Date Changed: May 21, 2001	Time Changed:
Engineer:	COMPANY NAME	SIZE
Drawn by:	SAMSUNG	LSI
R&D CHK:		
DOC CTRL CHK:	TITLE:	
MFG ENGR CHK:	SG9H-R200	
	VCO and Synth Schematic	
QA CHK:	REV:	Page: 9/11
	Drawing Number: V6.1	

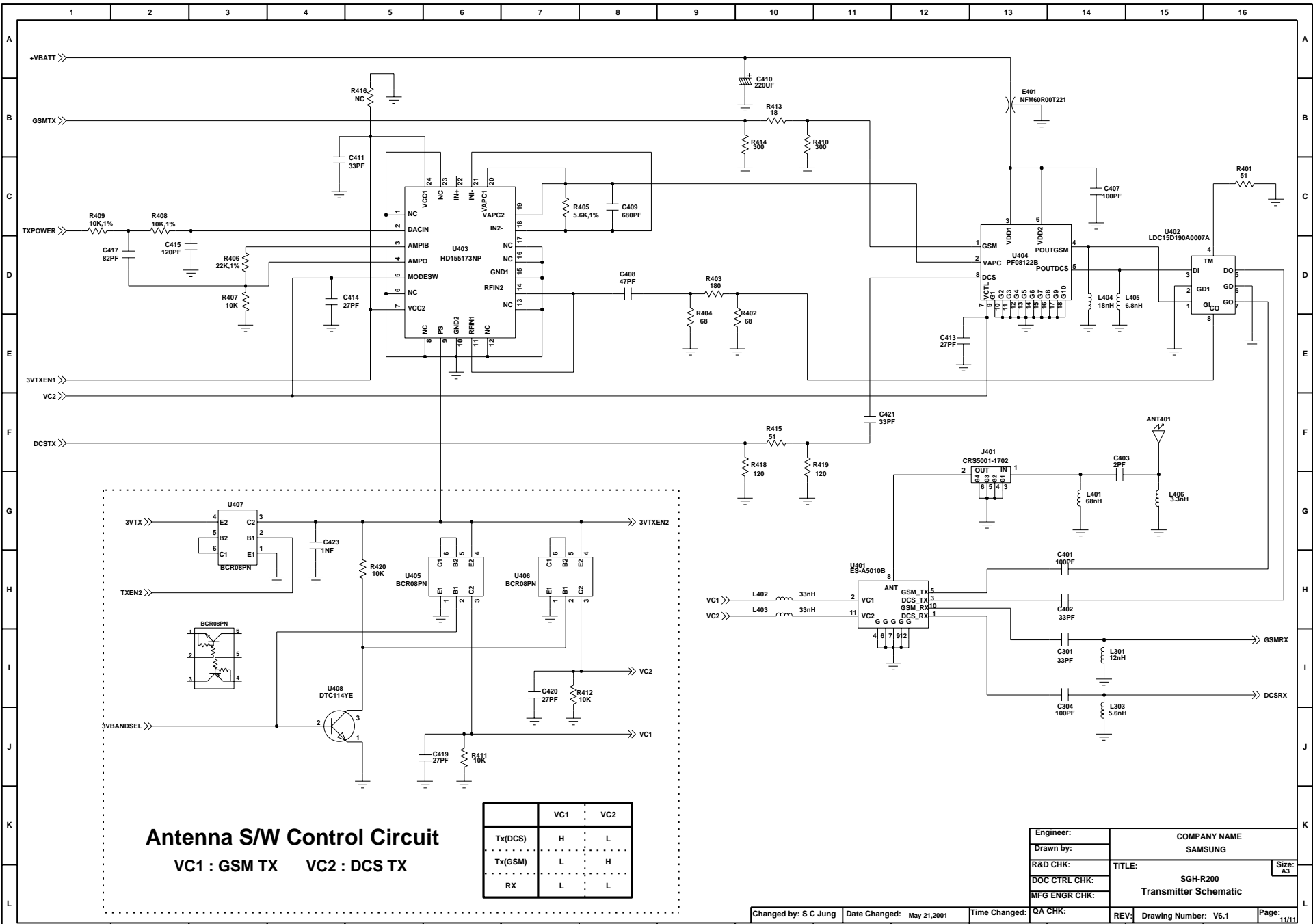


Changed by: S C Jung | Date Changed: May 21, 2001 | Time Changed:

Engineer: COMPANY NAME  
 SAMSUNG  
 Drawn By:  
 R&D CHK:  
 DOC CTRL CHK:  
 MFG ENGR CHK:  
 QA CHK:

TITLE: SGH-R200  
 Bright IC and TVCO Schematic

REV: Drawing Number: V6.1 | Page: 10/11



# Antenna S/W Control Circuit

VC1 : GSM TX    VC2 : DCS TX

	VC1	VC2
Tx(DCS)	H	L
Tx(GSM)	L	H
RX	L	L

Engineer:	COMPANY NAME	
Drawn by:	SAMSUNG	
R&D CHK:	TITLE:	Size: A3
DOC CTRL CHK:	SGH-R200	
MFG ENGR CHK:	Transmitter Schematic	
QA CHK:	REV:	Page: 1/11
Changed by: S C Jung	Date Changed: May 21, 2001	Time Changed:
	Drawing Number: V6.1	