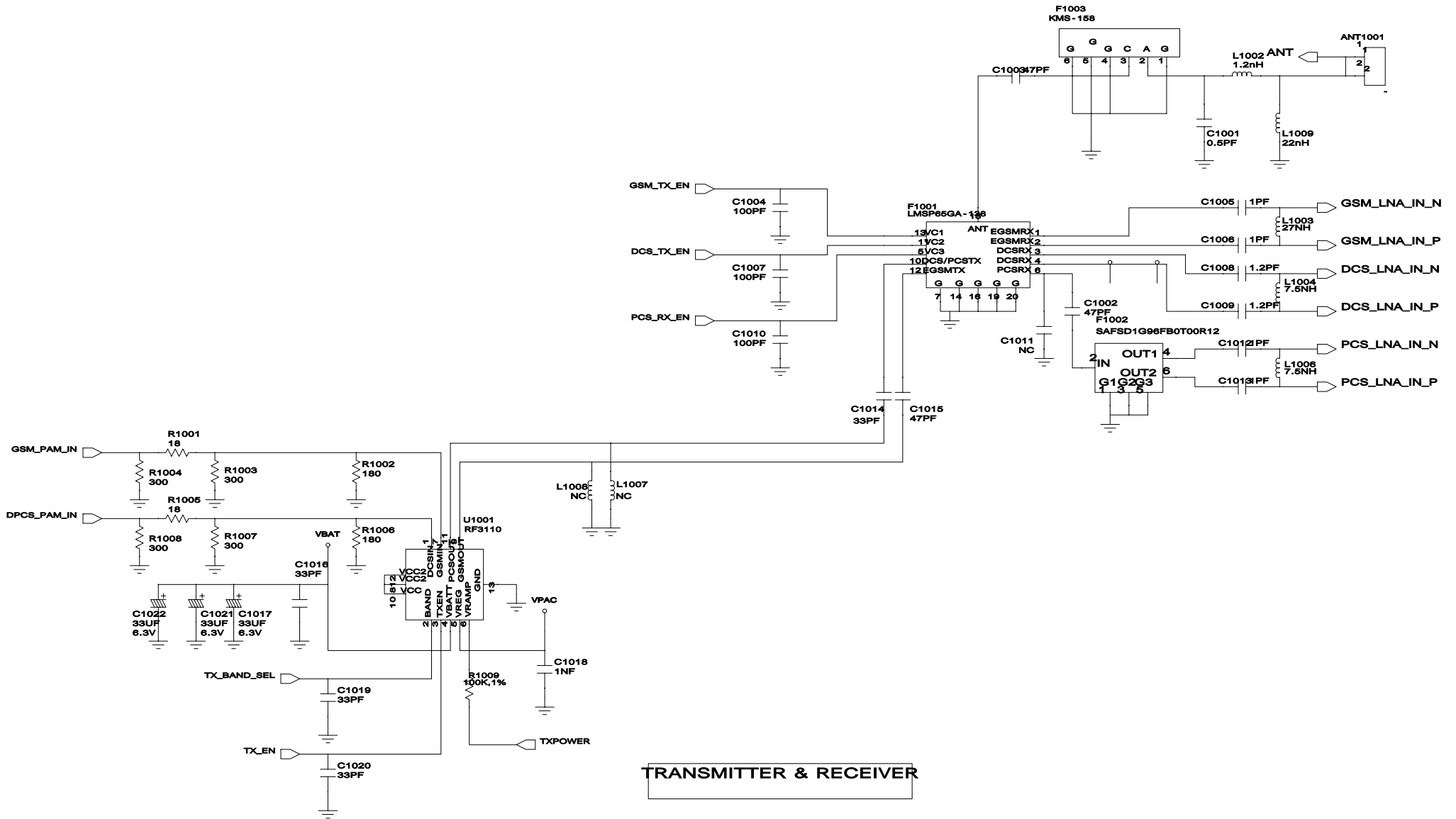


POWER

Engineer	COMPANY NAME		
Drawn by	Address		
R&D CHK	City		
DOC CTRL CHK	TITLE:		Size
MFG ENGR CHK			

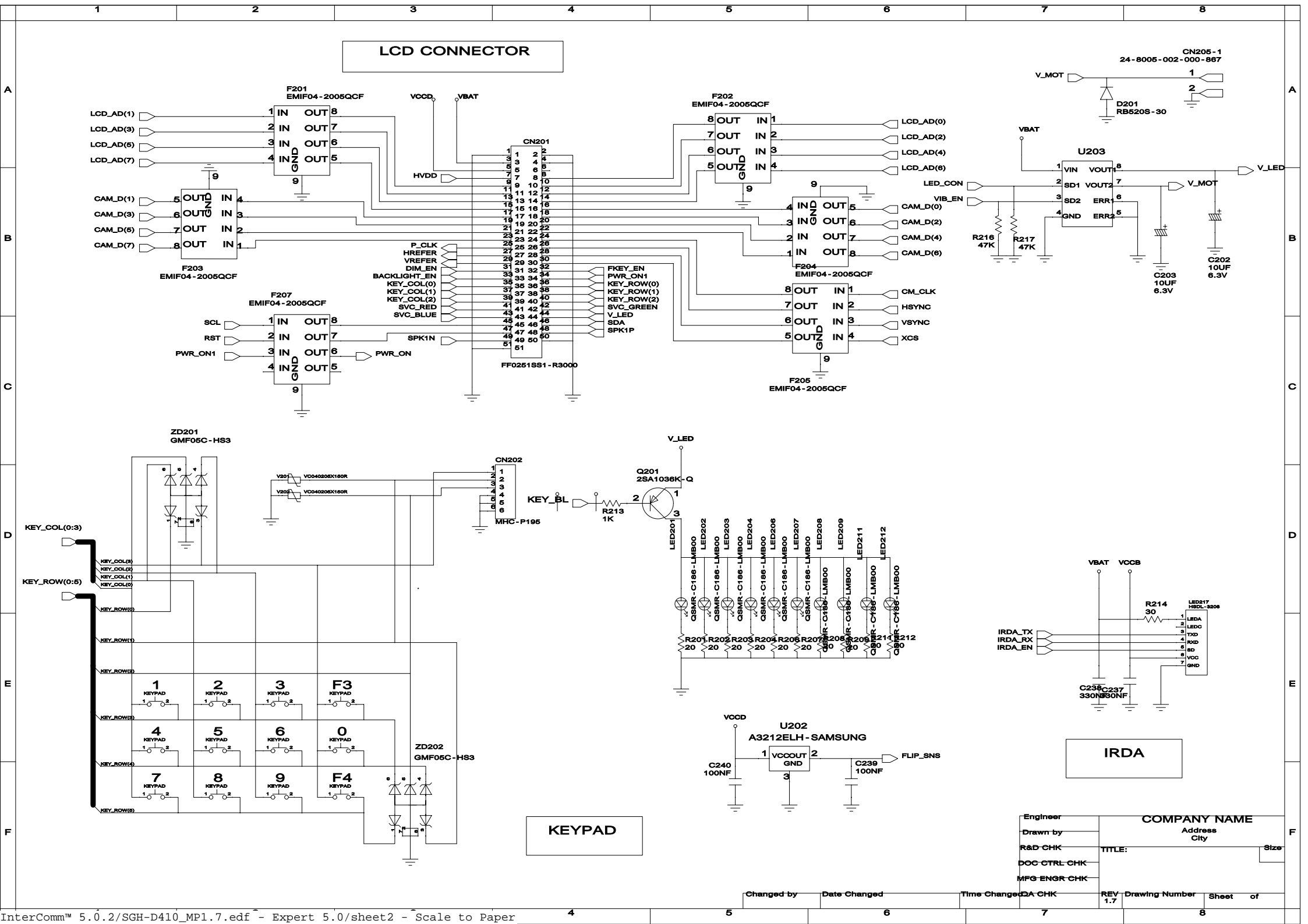
Changed by	Date Changed	Time Changed	QA CHK	REV 1.7	Drawing Number	Sheet	of
------------	--------------	--------------	--------	---------	----------------	-------	----



TRANSMITTER & RECEIVER

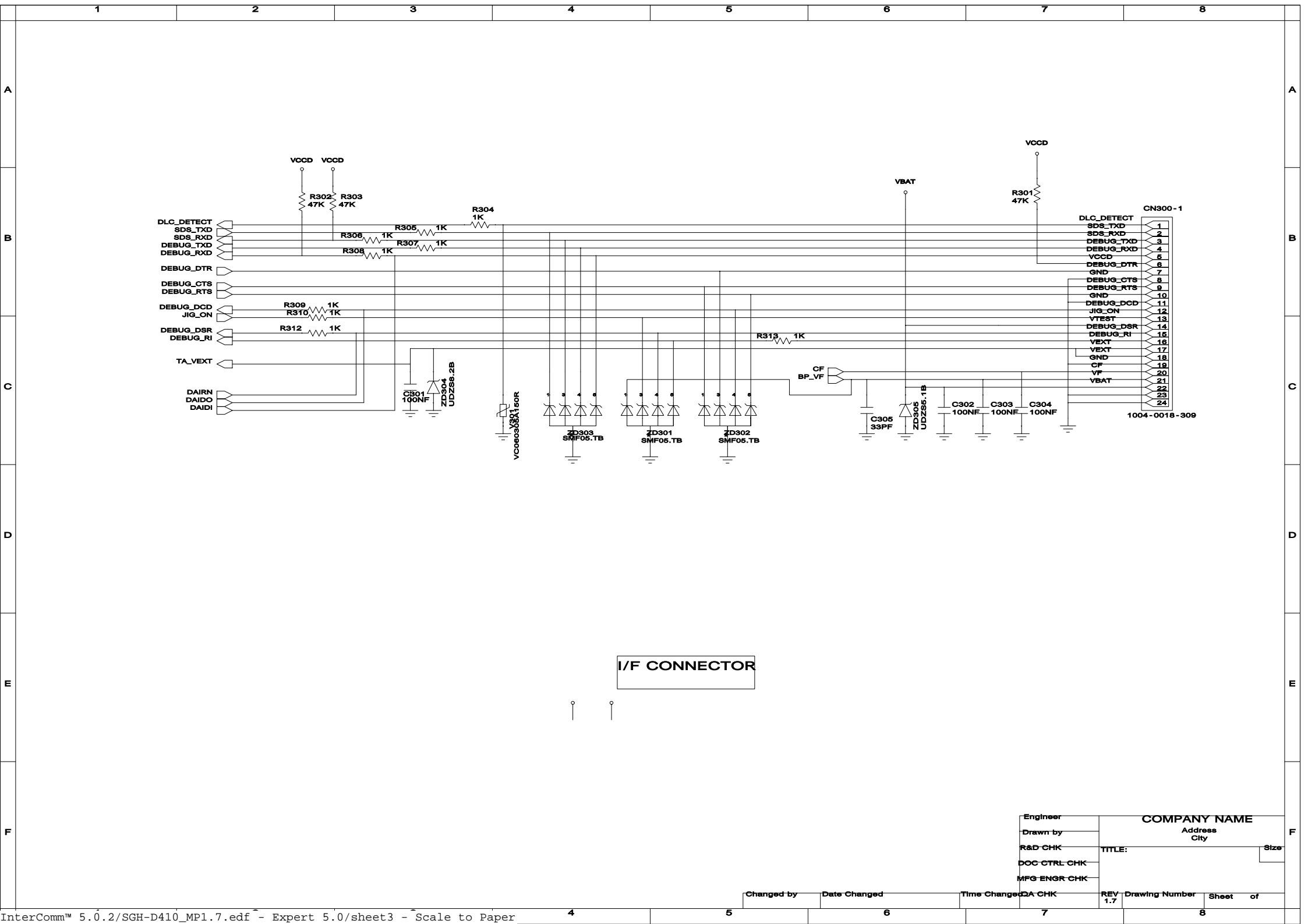
Engineer	COMPANY NAME		
Drawn by	Address		
R&D CHK	City		
DOC CTRL CHK	TITLE:		Size
MFG ENGR CHK			

Changed by	Date Changed	Time Changed	QA CHK
REV 1.7	Drawing Number	Sheet	of



Changed by	Date Changed	Time Changed	QA CHK	REV 1.7	Drawing Number	Sheet of
------------	--------------	--------------	--------	---------	----------------	----------

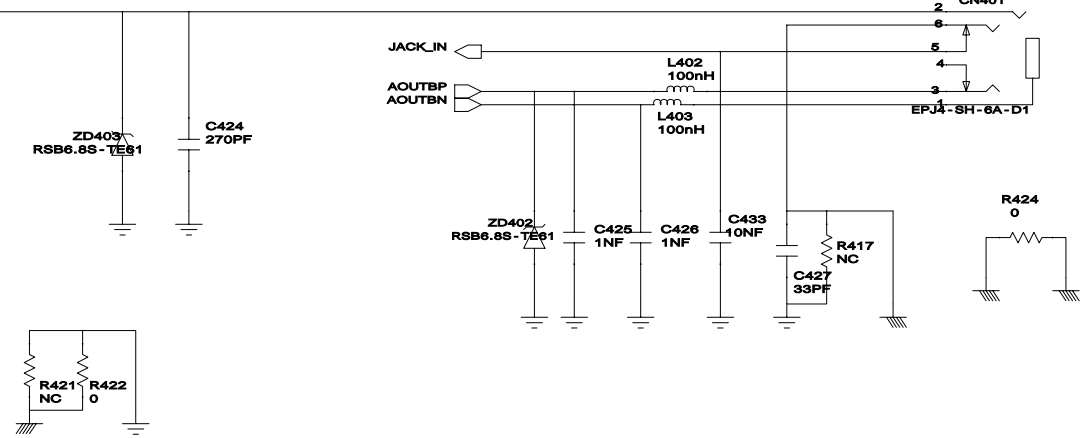
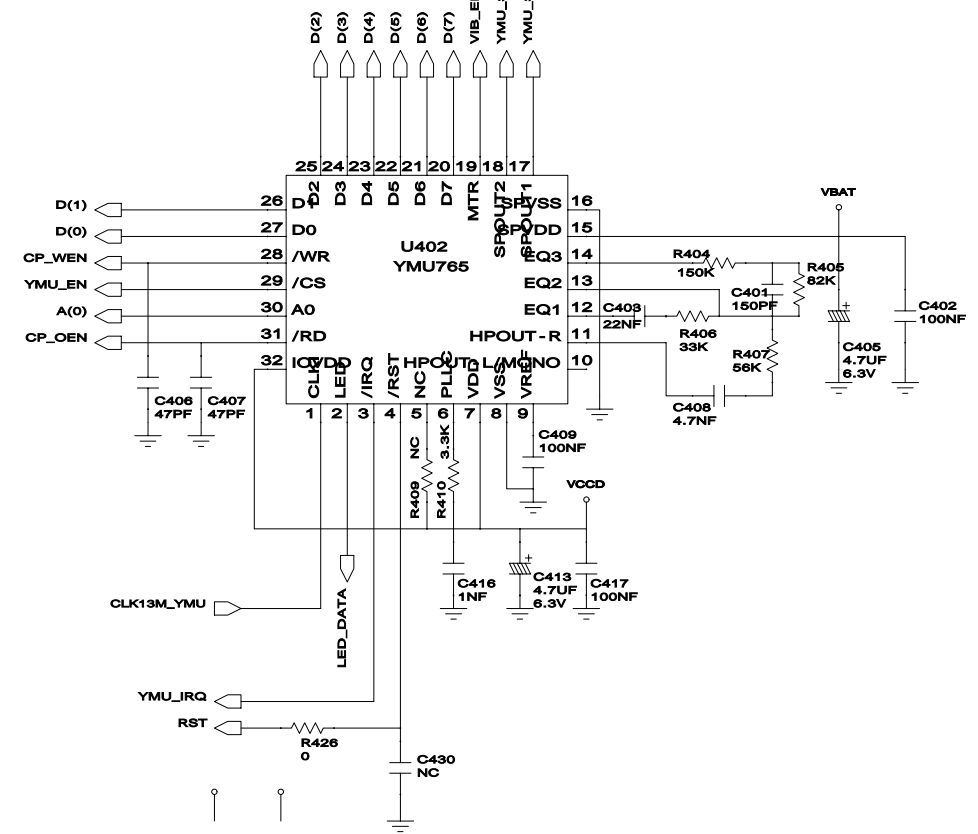
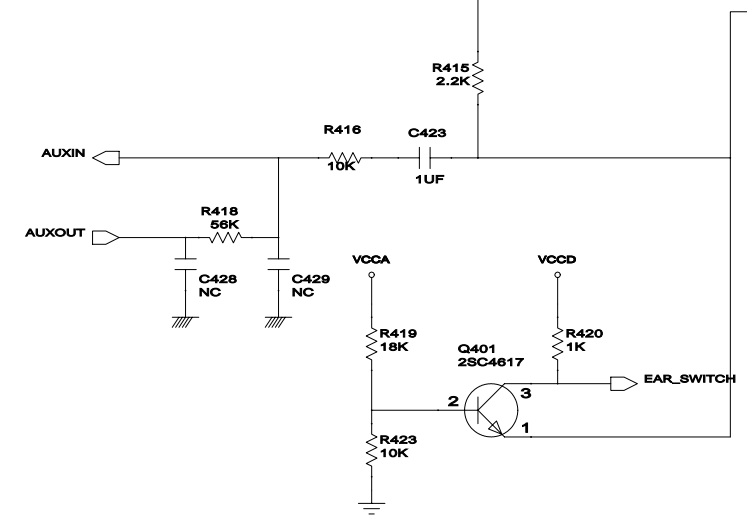
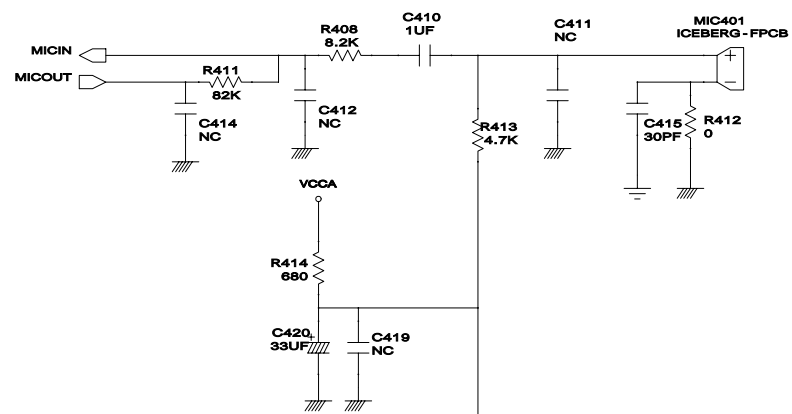
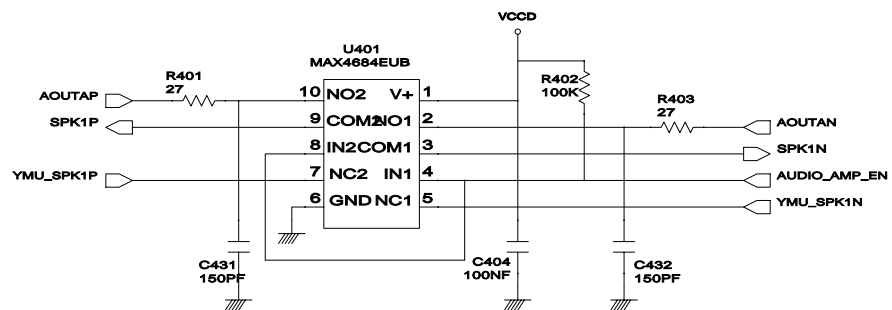
Engineer	COMPANY NAME Address City State
Drawn by	
R&D CHK	
DOC CTRL CHK	
MFG ENGR CHK	
TITLE:	Size



I/F CONNECTOR

Engineer	COMPANY NAME		
Drawn by	Address		Size
R&D CHK	City		
DOC CTRL CHK	TITLE:		
MFG ENGR CHK			

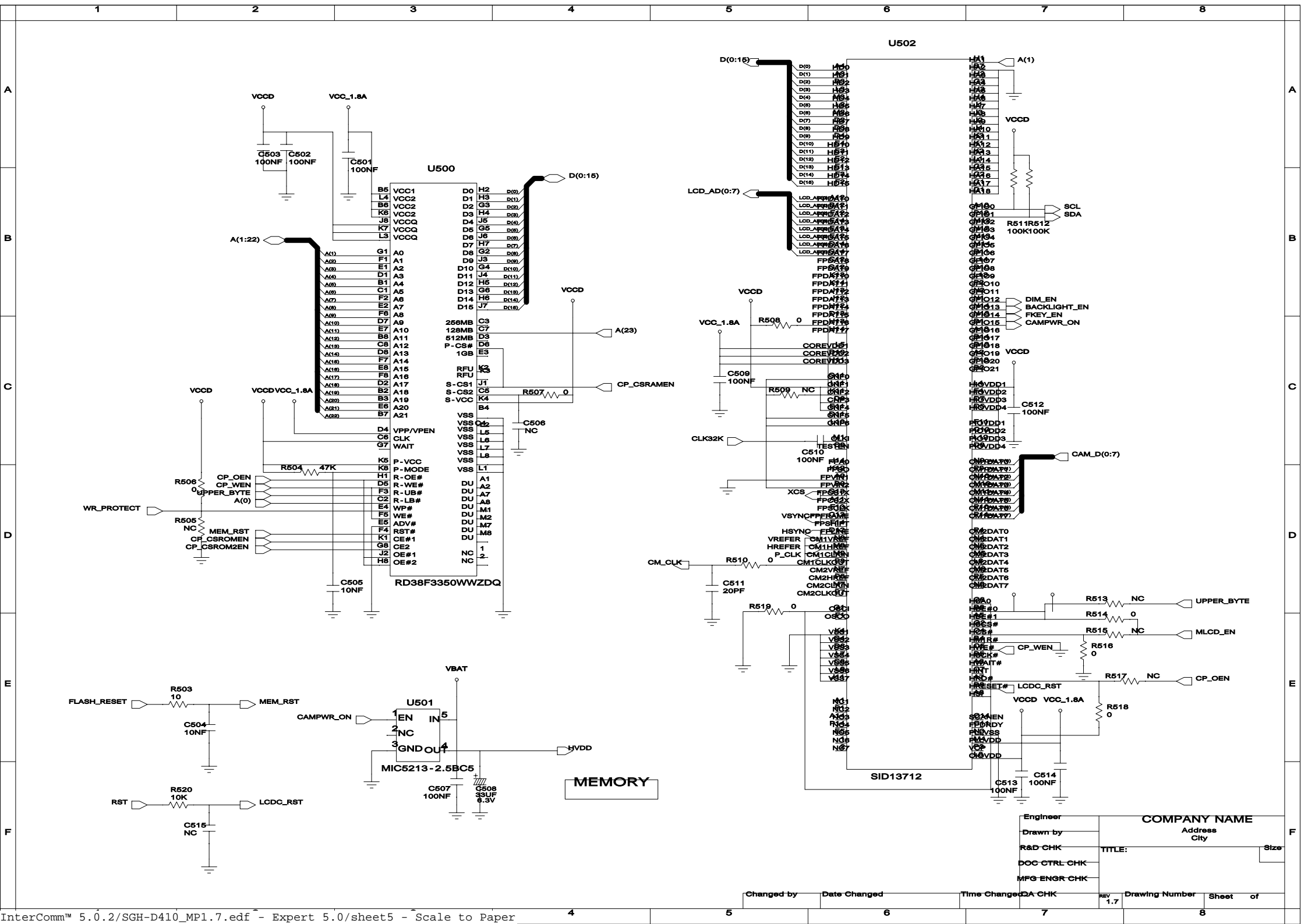
Changed by	Date Changed	Time Changed	QA CHK	REV 1.7	Drawing Number	Sheet	of
------------	--------------	--------------	--------	---------	----------------	-------	----



AUDIO

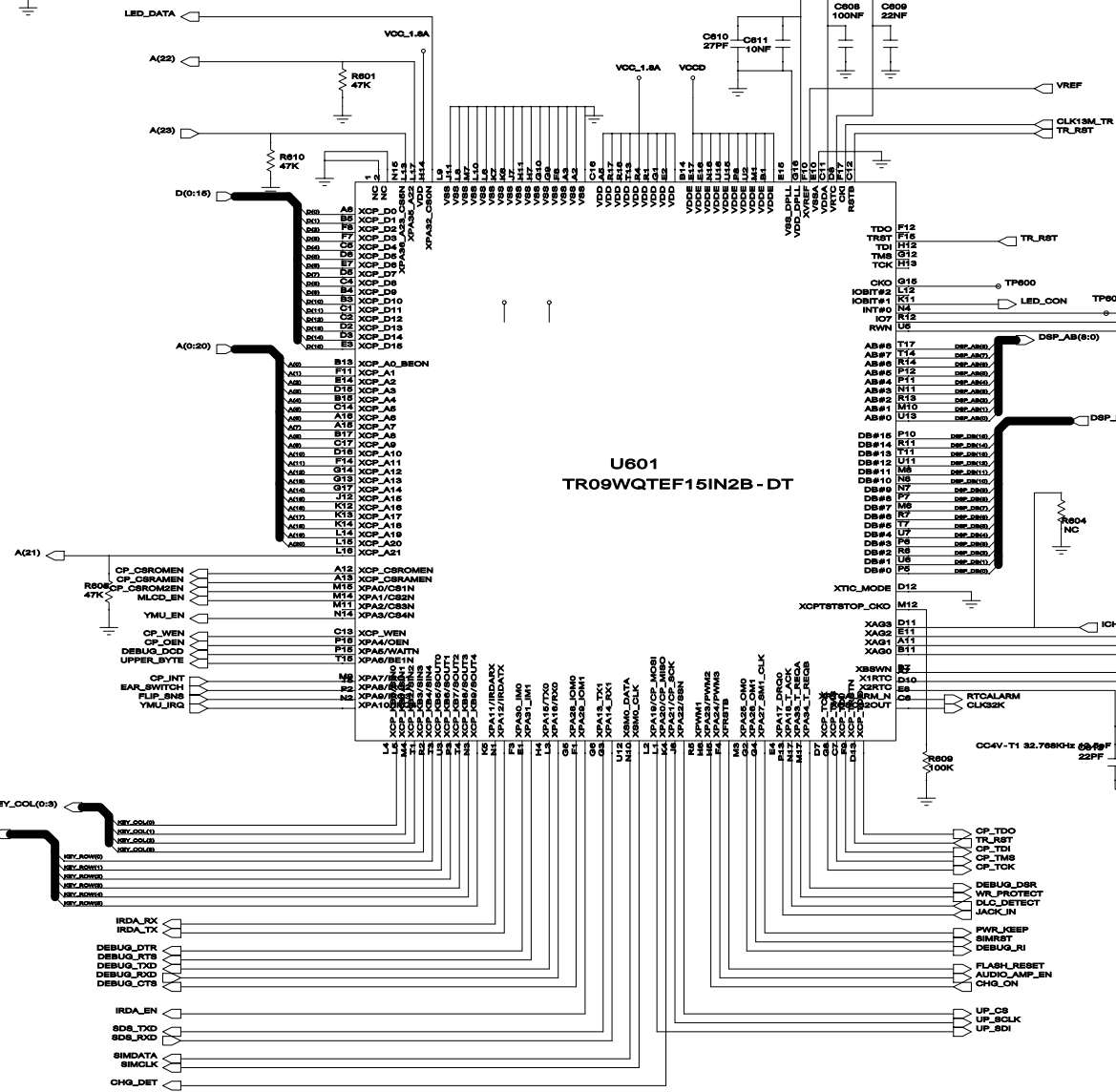
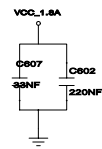
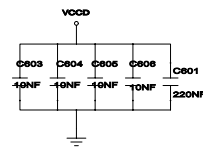
Engineer	COMPANY NAME		
Drawn by	Address		
R&D CHK	City		
DOC CTRL CHK	TITLE:	Size	
MPG ENGR CHK			

Changed by	Date Changed	Time Changed	QA CHK	REV 1.7	Drawing Number	Sheet of
------------	--------------	--------------	--------	---------	----------------	----------

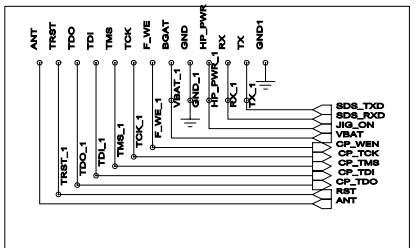


Engineer	COMPANY NAME		
Drawn by	Address		
R&D CHK	City		
DOC CTRL CHK	TITLE:	Size	
MFG ENGR CHK			

Changed by	Date Changed	Time Changed	DA CHK	REV 1.7	Drawing Number	Sheet of
------------	--------------	--------------	--------	---------	----------------	----------



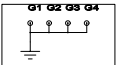
JTAG



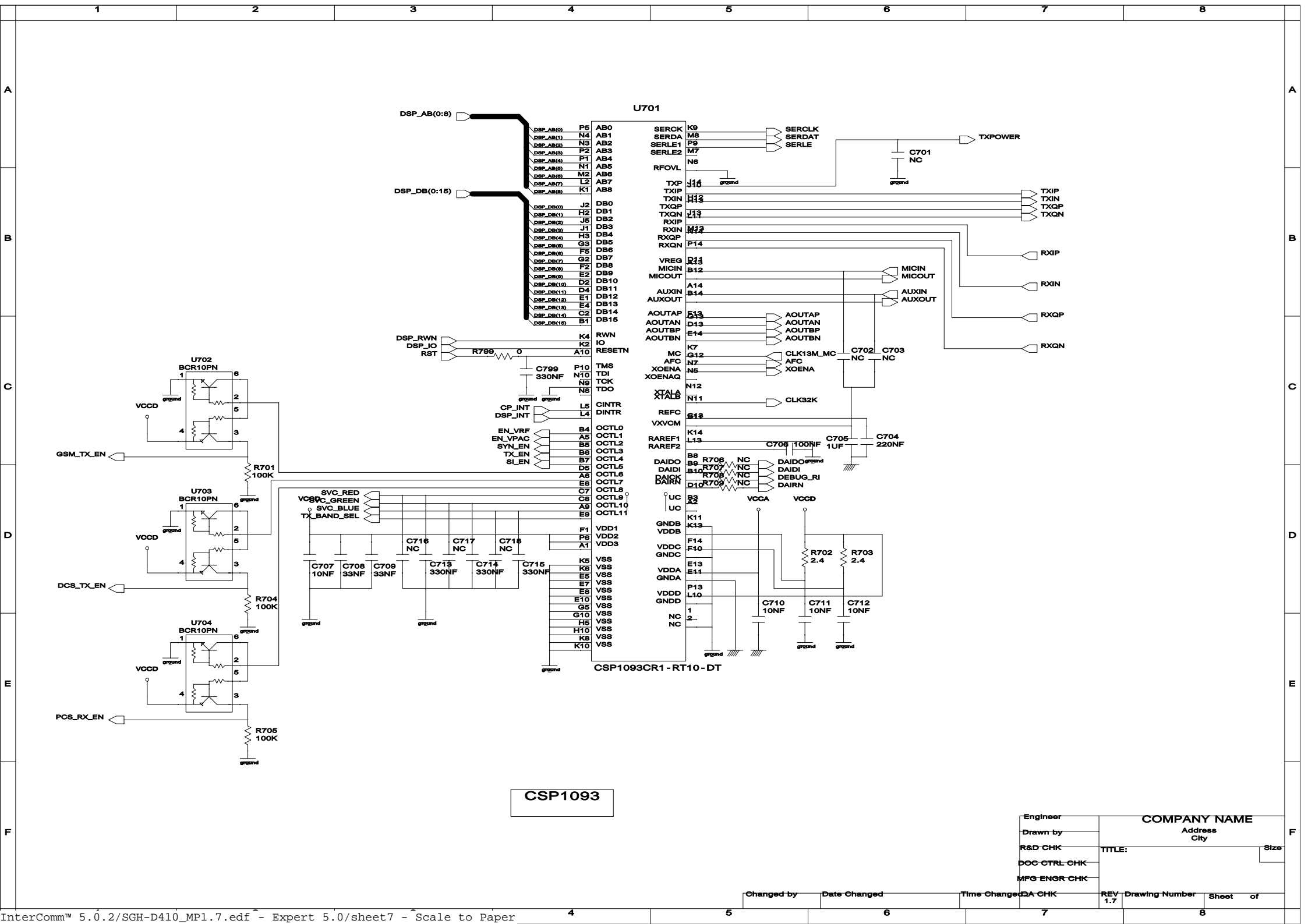
**U601
TR09WQTEF15IN2B-DT**

TRIDENT

BOARD_HOLE



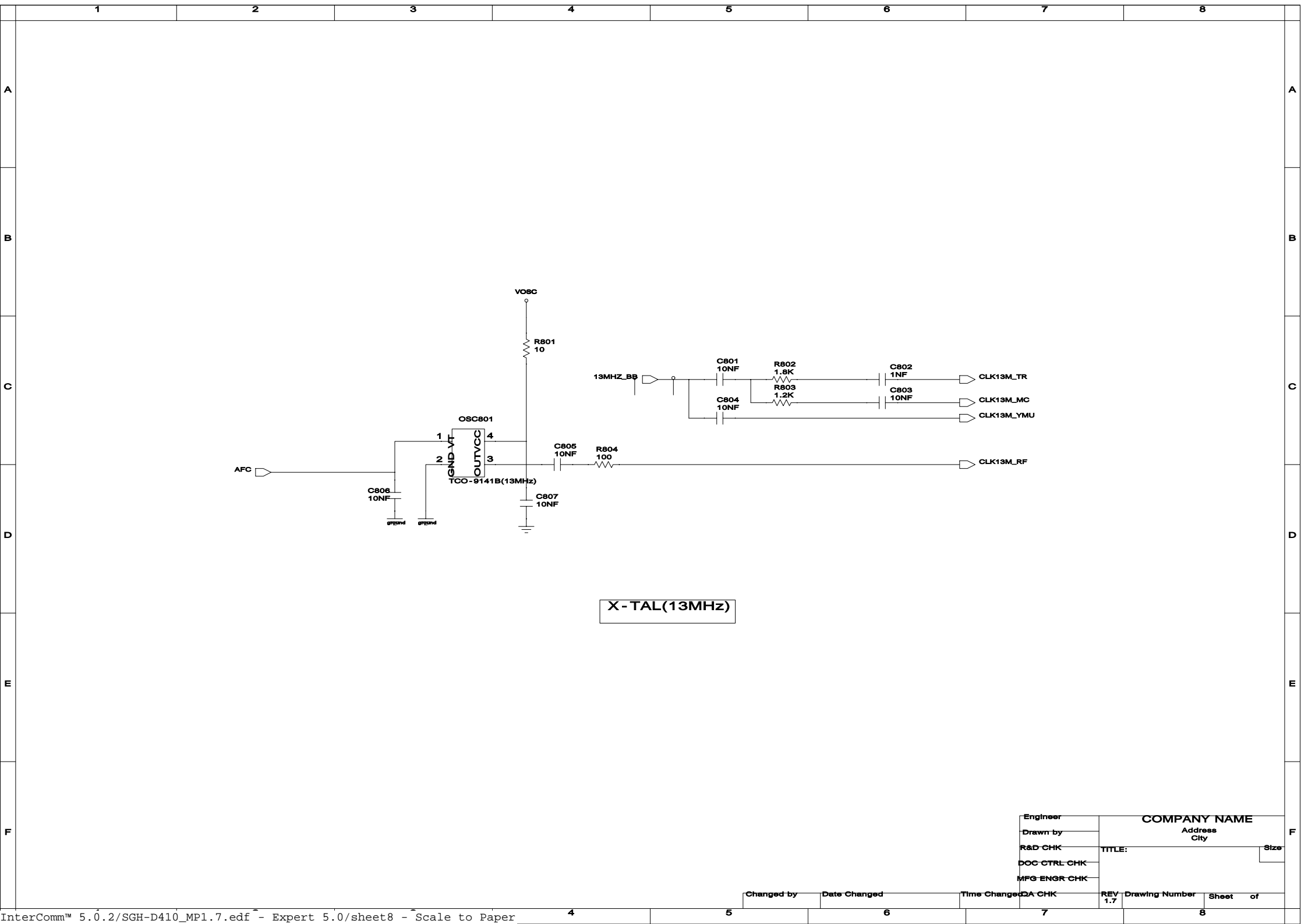
Engineer	COMPANY NAME
Drawn by	Address
R&D CHK	CITY
DOC CTRL CHK	TITLE
MPG ENGR CHK	REV: Drawing Number Sheet or



CSP1093

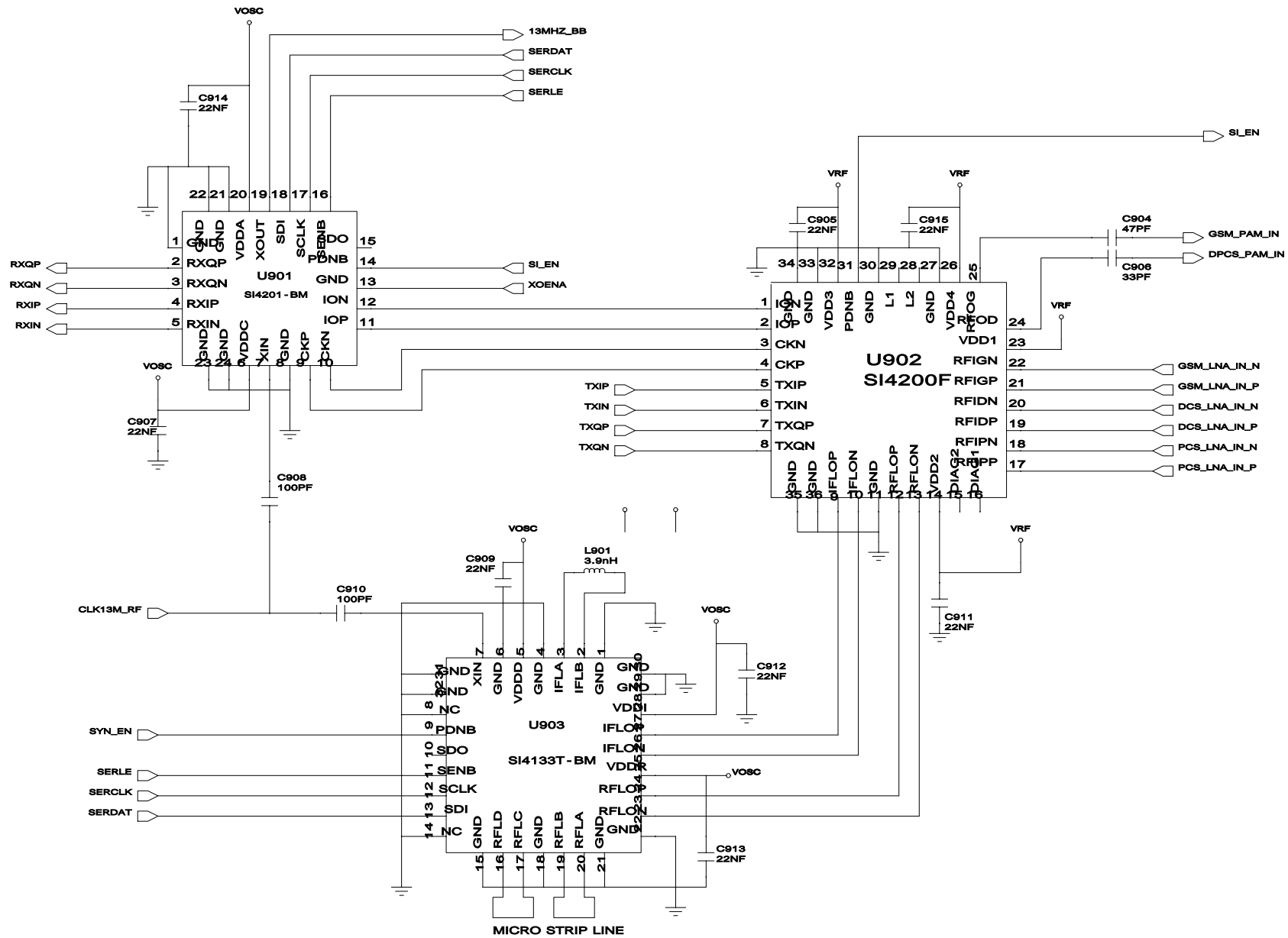
Engineer	COMPANY NAME		
Drawn by	Address		
R&D CHK	City		
DOC CTRL CHK	TITLE:		Size
MFG ENGR CHK			

Changed by	Date Changed	Time Changed	QA CHK	REV	Drawing Number	Sheet	of
				1.7			



X - TAL(13MHz)

Engineer	COMPANY NAME		
Drawn by	Address		Size
R&D CHK	City		
DOC CTRL CHK	TITLE:		
MFG ENGR CHK			
Changed by	Date Changed	Time Changed	QA CHK
REV 1.7	Drawing Number	Sheet	of



SI-LAB

Engineer	COMPANY NAME		
Drawn by	Address		Size
R&D CHK	City		
DOC CTRL CHK	TITLE:		
MFG ENGR CHK			

Changed by	Date Changed	Time Changed	QA CHK	REV 1.7	Drawing Number	Sheet	of
------------	--------------	--------------	--------	---------	----------------	-------	----