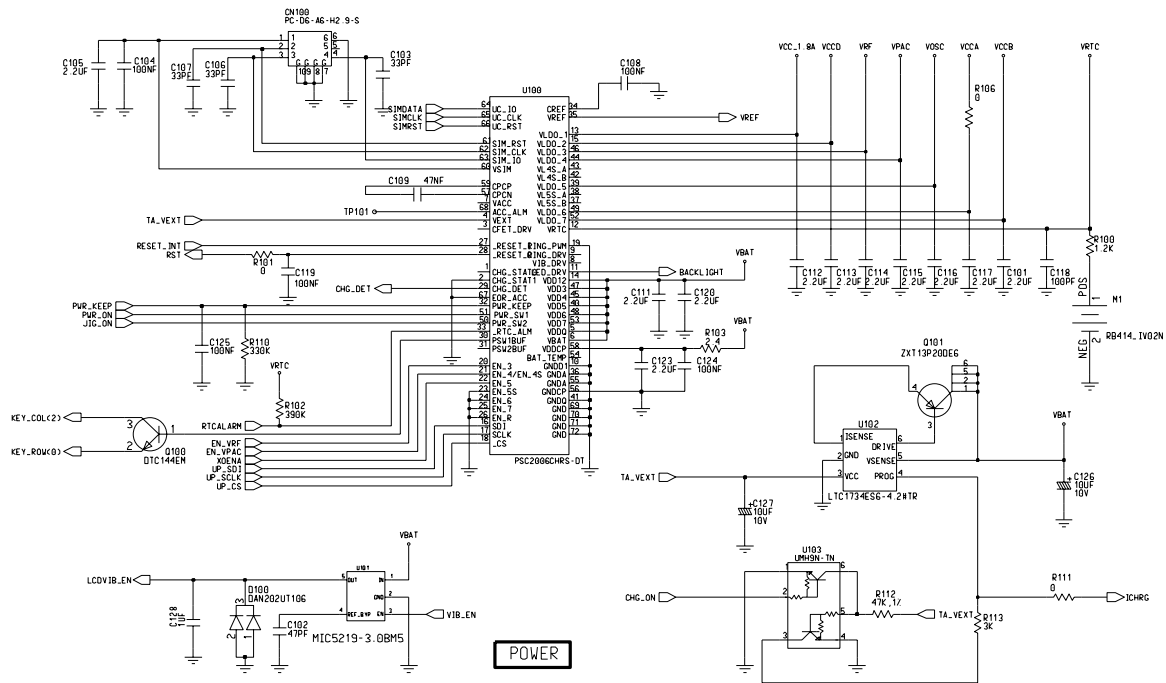
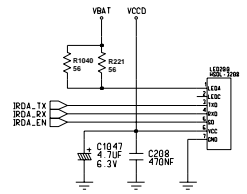
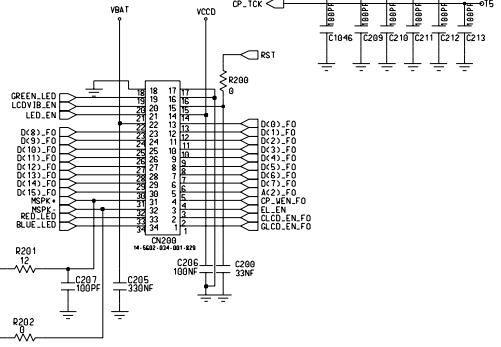
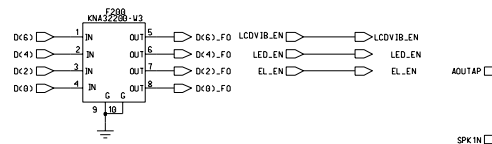
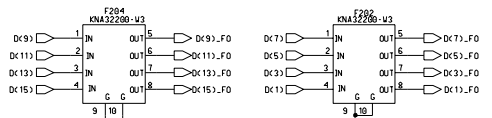
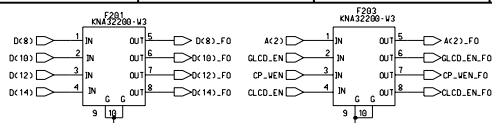


TH1X5



Engineer	SEOYH	COMPANY NAME
Drawn by	SEOYH	Address
WFO CHK	CHK	City
DATE	2003.04.15	TITLE:
WFO ENDR	CHK	SGH-S300M_REV1.0

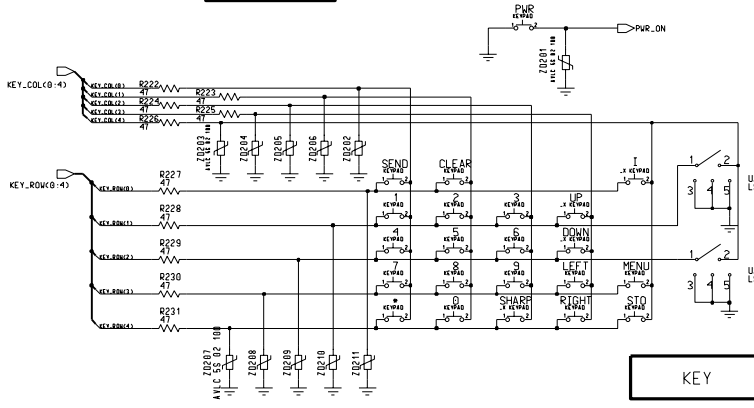


EMI FILTER

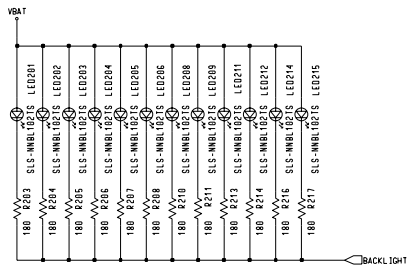
LCD CONNECTOR

JTAG CON

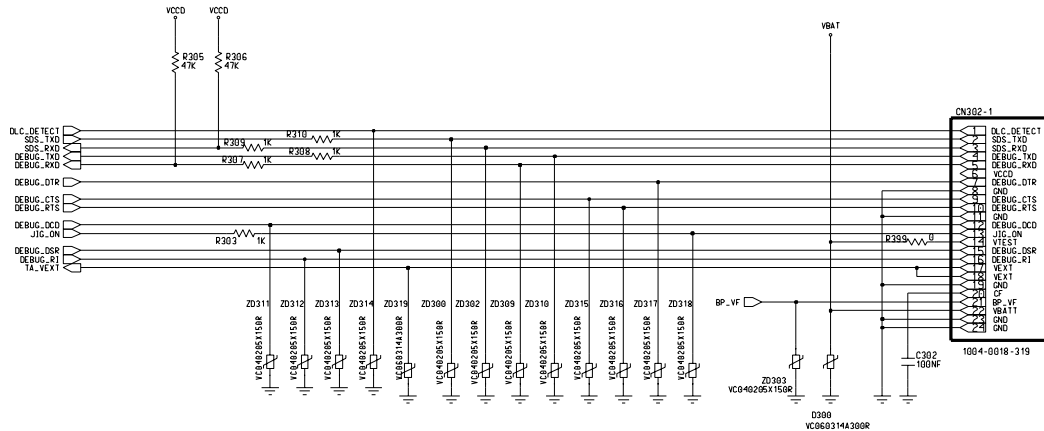
IRDA



KEY

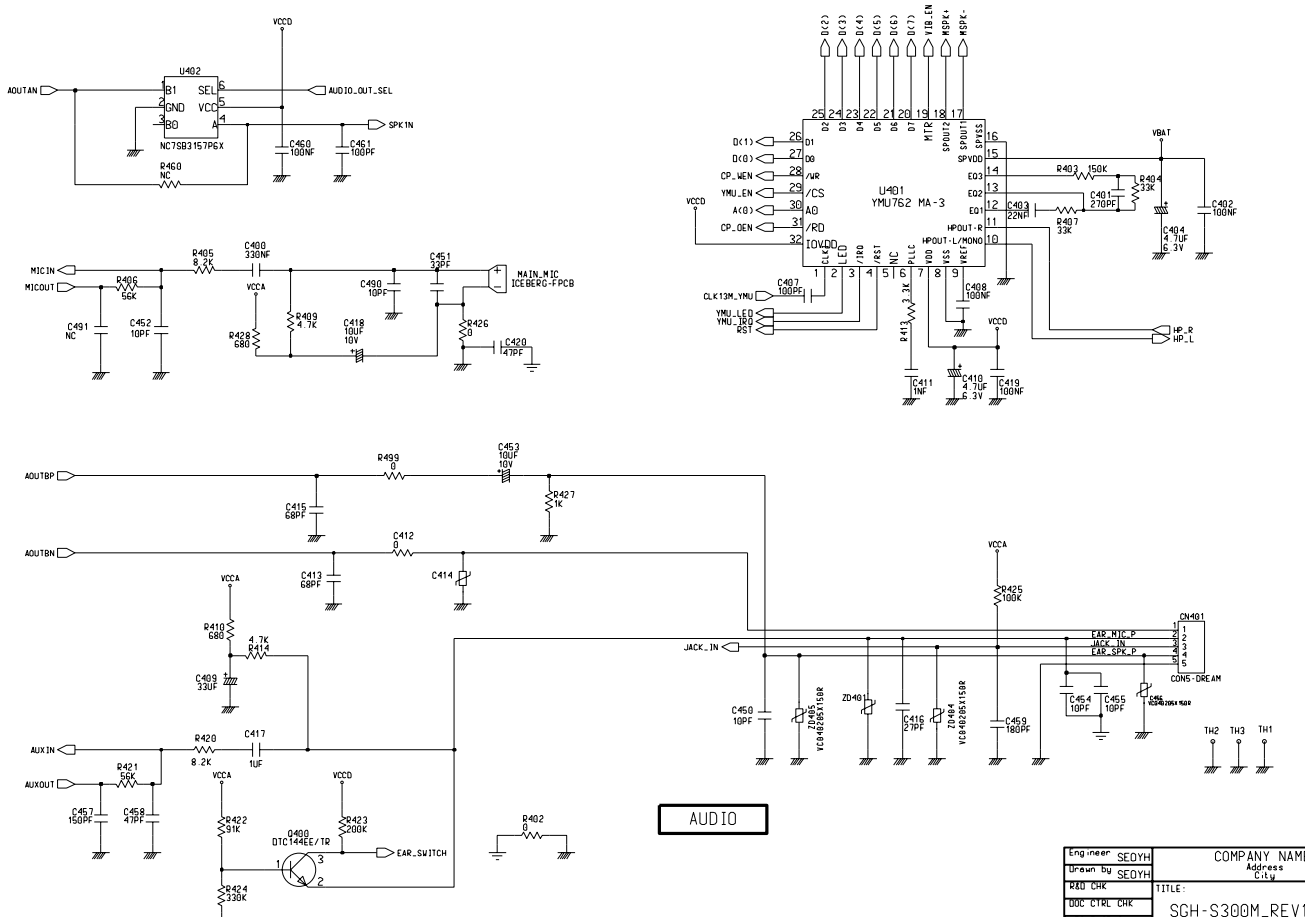


Engineer	SE0VH	COMPANY NAME
Drawn by	SE0VH	Address
WFO CHK	CHK	City
DATE	2003 04 15	TITLE:
WFO ENDR	CHK	SGH-S300M-REV1.0



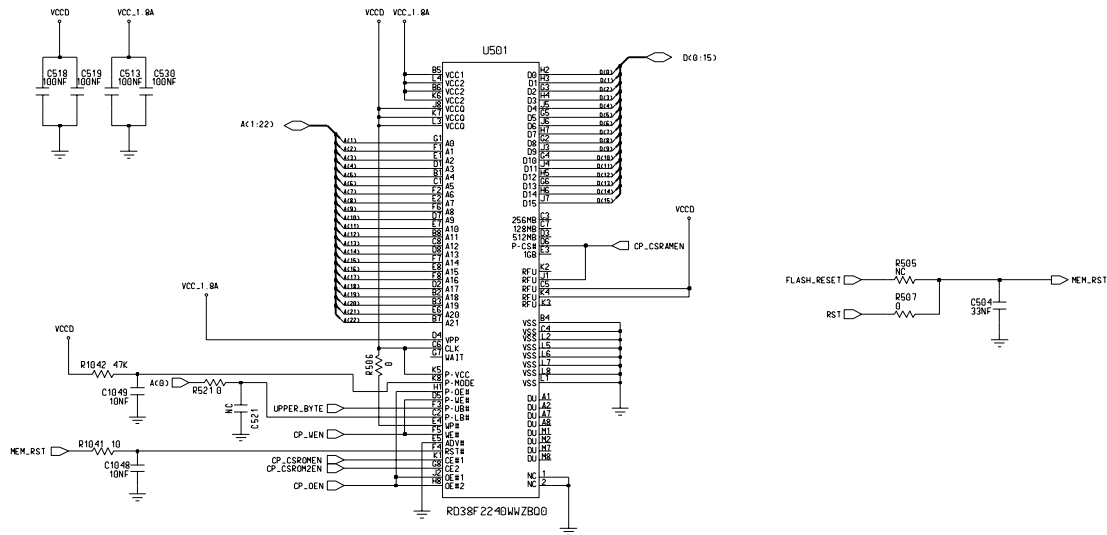
I/F CONNECTOR

Engineer	SEOYH	COMPANY NAME
Drawn by	SEOYH	Address
WFO CHK		City
DL_C CTRL CHK	TITLE:	Size
WFO ENDR CHK	SGH-S300M_REV1.0	A3



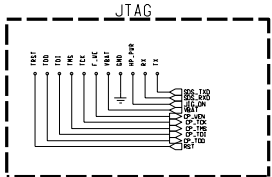
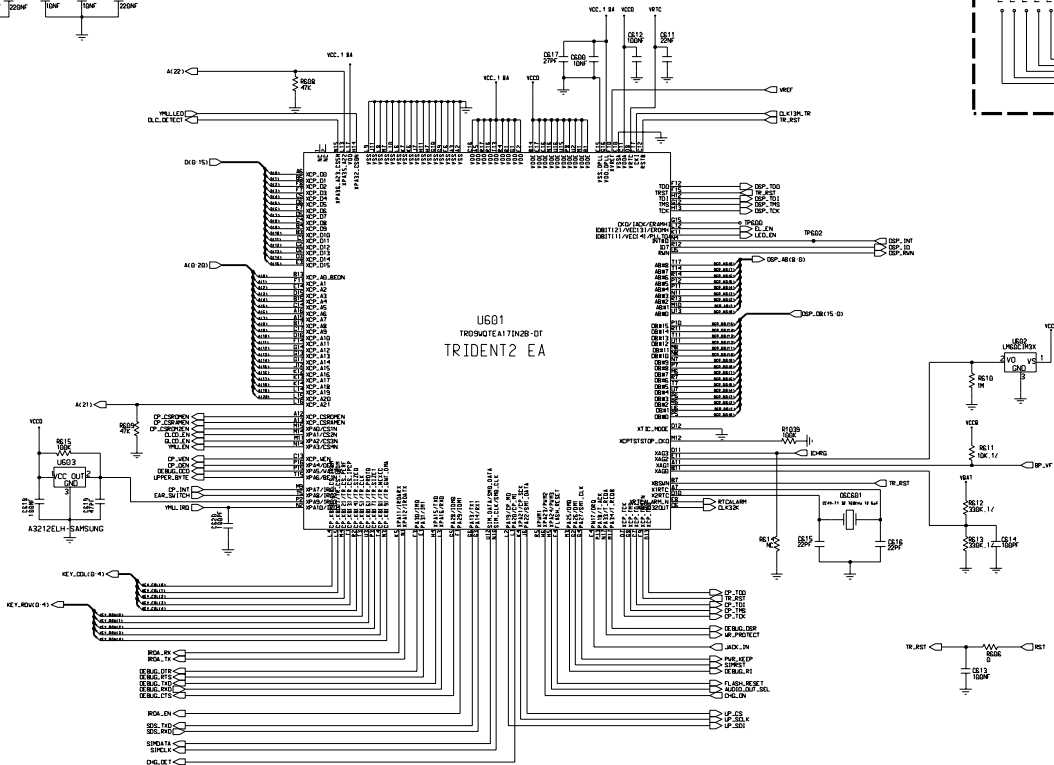
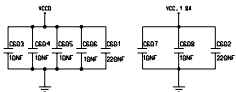
AUDIO

Engineer	SE0VH	COMPANY NAME
Drawn by	SE0VH	Address
WFO CHK		City
WFO CTRL CHK	TITLE:	Size
WFO ENDR CHK	SGH-S300M_REV1.0	A3



MEMORY

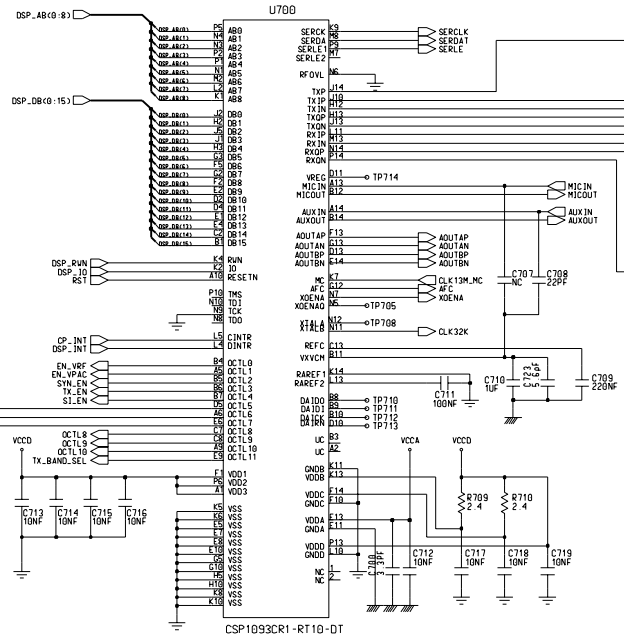
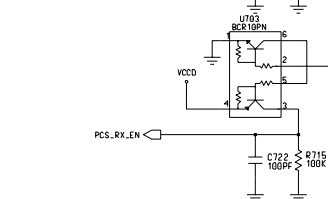
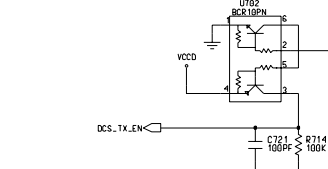
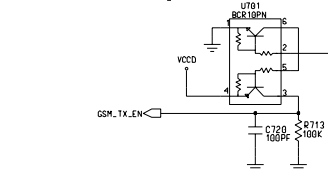
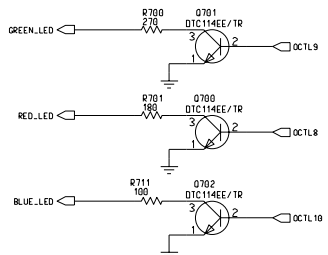
Engineer	SE0VH	COMPANY NAME
Drawn by	SE0VH	Address
WFO CKR	CHK	City
WFO CKR	CHK	TITLE:
WFO CKR	CHK	SGH-S300M_REV1.0



TRIDENT

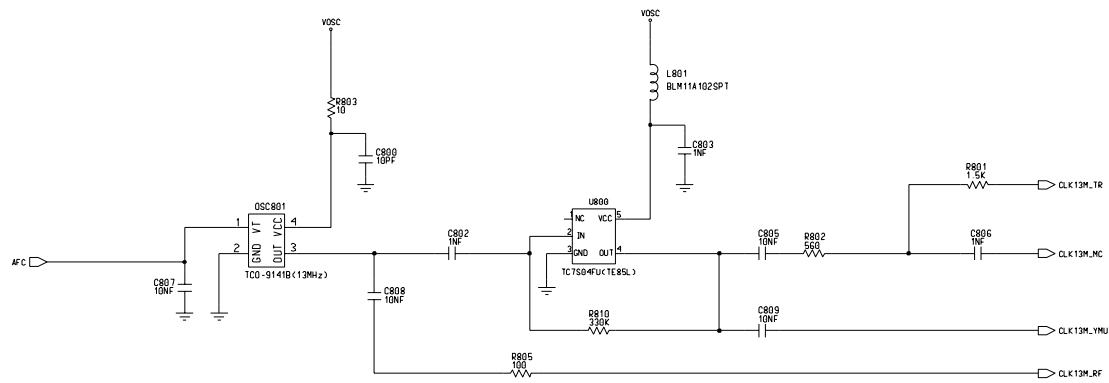


DESIGNED BY	GE07H	COMPANY NAME	
DRAWN BY	GE07H	TITLE	
DATE CHECKED		PROJECT NO.	SGH-S300M_REV1.0
DATE ENDED		REV. NO.	1.0



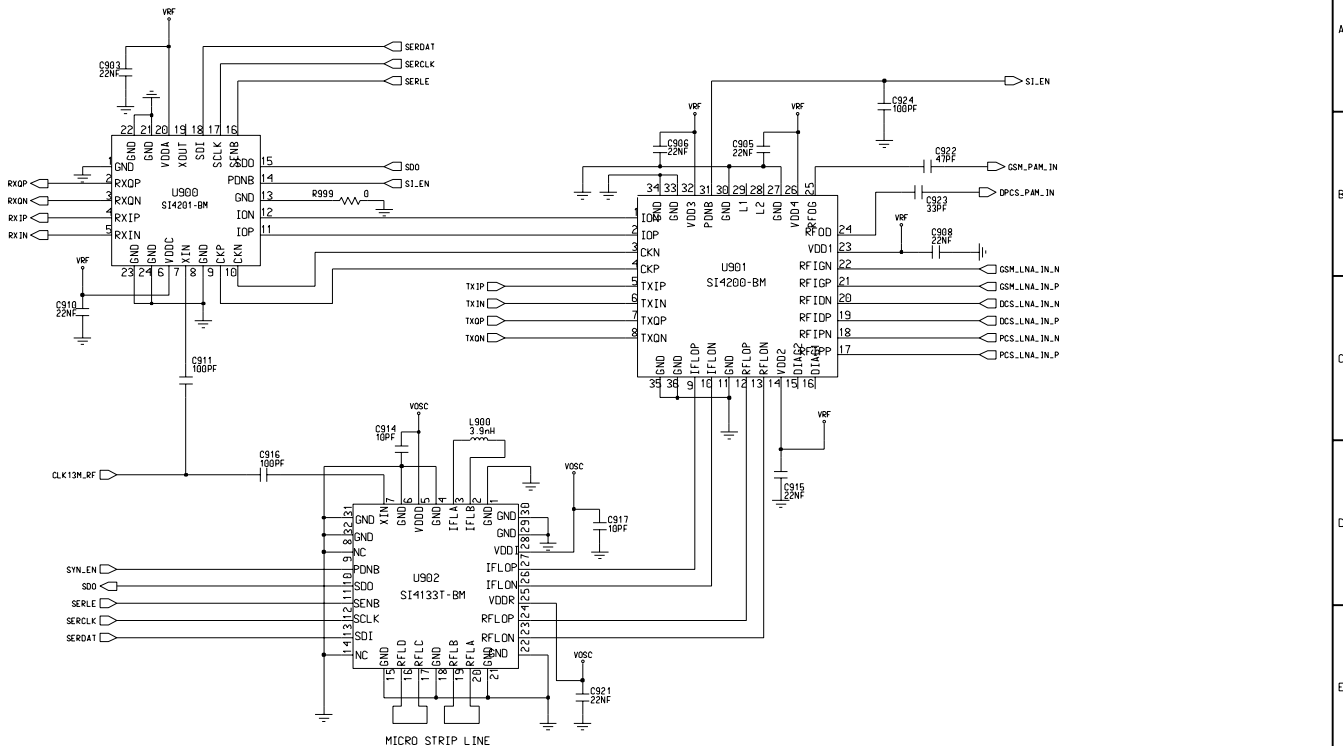
CSP1093

Engineer SEDYH	COMPANY NAME	
Drawn by SEDYH	Address	
WFO CHK	City	
WFO CTRL CHK	TITLE:	Size
WFO ENGR CHK	SGH-S300M_REV1.0	
Changed by	Date Changed	File Change
DA CHK	8/3	6/83
Drawing Number	Sheet 7 of 10	



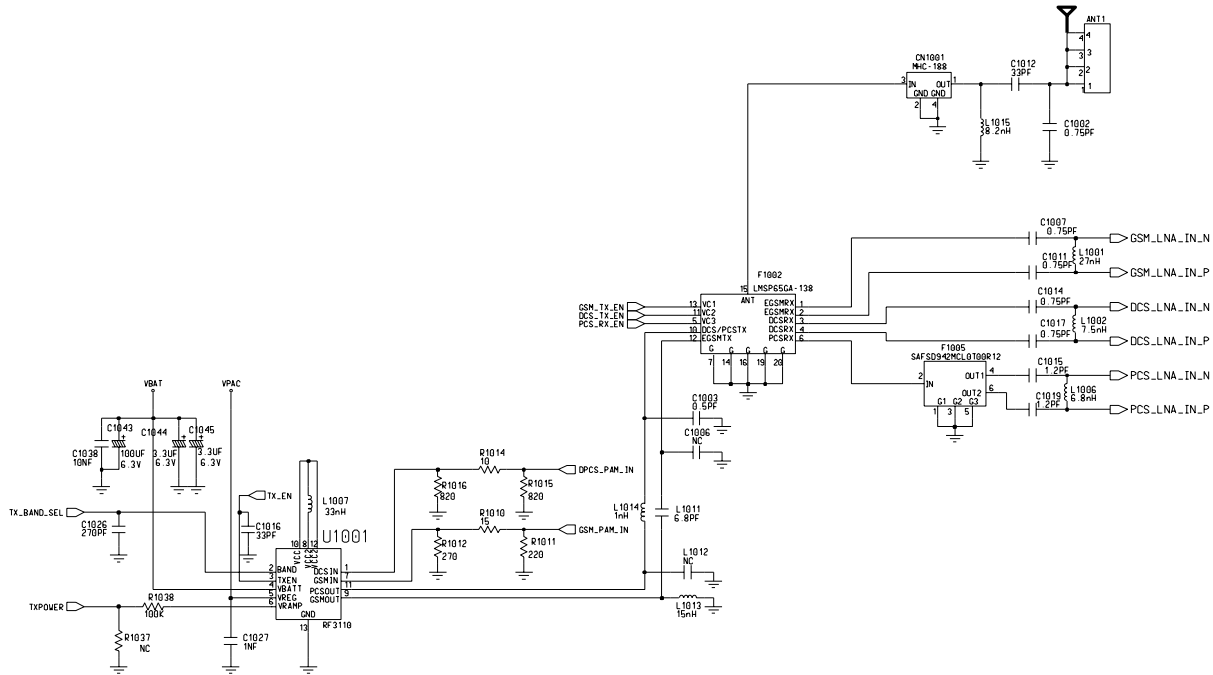
X-TAL (13MHz)

Engineer	SEOYH	COMPANY NAME
Drawn by	SEOYH	Address
W/D CTRL CHK		City
W/D ENDR CHK		TITLE:
		SGH-S300M_REV1.0



SI-LAB

Engineer SEDWH	COMPANY NAME
Drawn by SEDWH	Address
QC CTRL CHK	CITY
WFO ENGR CHK	TITLE:
	SGH-S300M_REV1.0
	Sheet 23



TRANSMITTER & RECEIVER

Engineer	SE07H	COMPANY NAME
Drawn by	SE07H	Address
WFO CHK		City
WFO CTRL CHK		TITLE:
WFO ENGR CHK		SGH-S300M_REV1.0