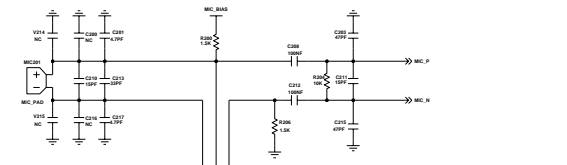
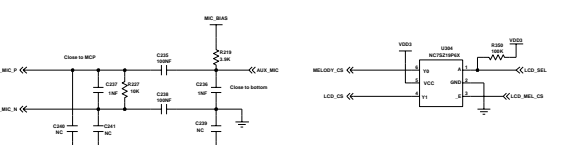
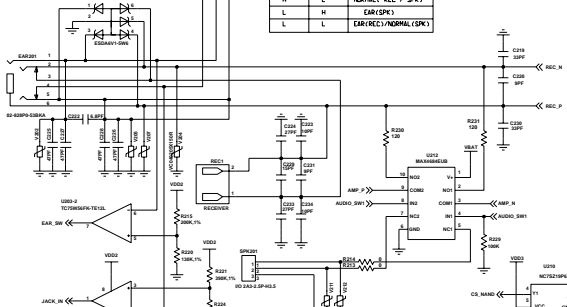


	VC1(VIC_DCS)	VC2(VIC_PCS)	VC3(VIC_EGSM)
EGSM_TX	1	0	0
DCS/PCS_TX	0	1	0
EGSM/DCS_RX	0	0	0
PCS_RX	0	0	1

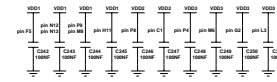
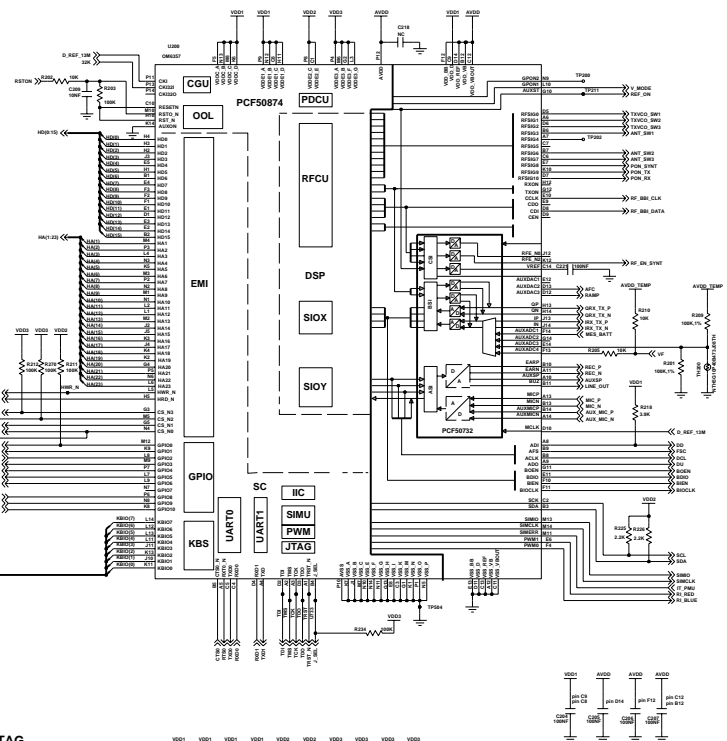
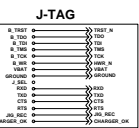


JACK_IN	MEMO.SW1	ASD10.SW1
M	L	NORMAL, REC / SPK
L	H	EAR(SPK)
L	L	EAR(REC)/NORMAL(SPK)



**AUDIO\_EXTERNAL\_INTERFACE**

SP10 (LCD_SEL)	CS3	Y0 (MEMORY_CS)	Y1 (LCD_CS)
M	L	L	M
H	L	M	L
X	M	M	H



Engineer Drawn by R&D CHK DOC CTRL CHK MFG ENDR CHK		<b>COMPANY NAME</b>  TITLE: <b>SGH-X100_REV 3.0</b>	Size Sheet 2 of 4
---	--	--	----------------------

