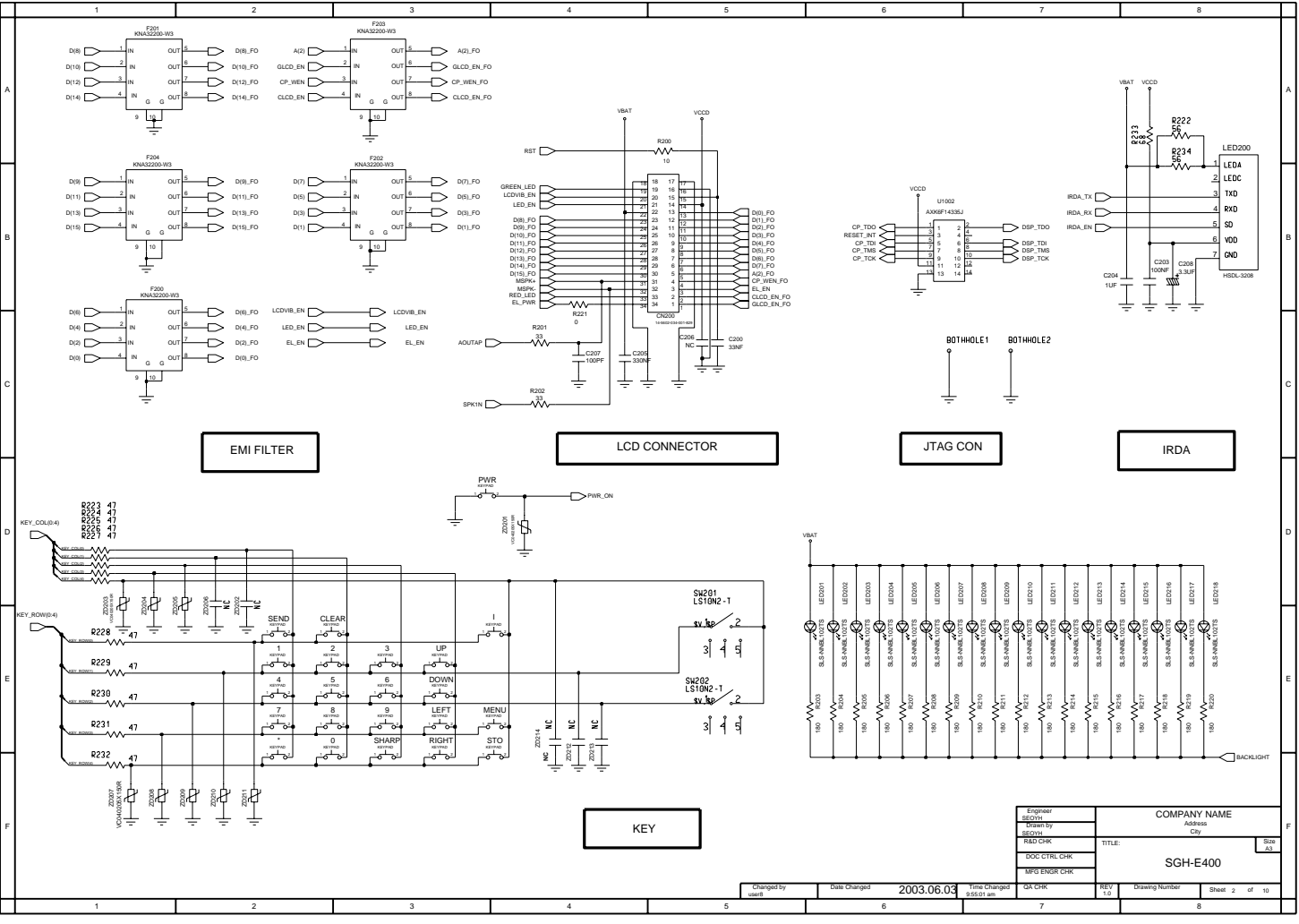


POWER

Engineer SIZEM	Address SIZEM	COMPANY NAME SIZEM Sq. 53
Drawn by SIZEM	TITLE: SGH-E400	
R&D CHK SIZEM	DA CHK	
DOC CTRL CHK SIZEM	MFG ENGR CHK	



EMI FILTER

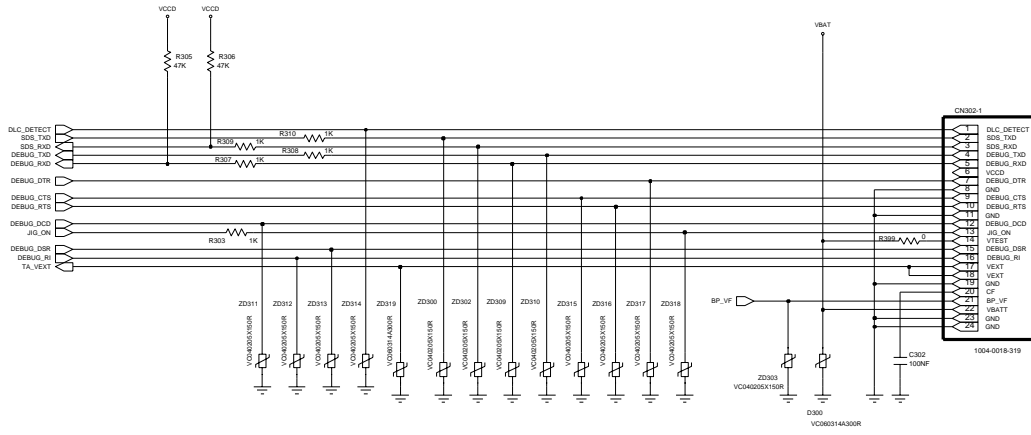
LCD CONNECTOR

JTAG CON

IRDA

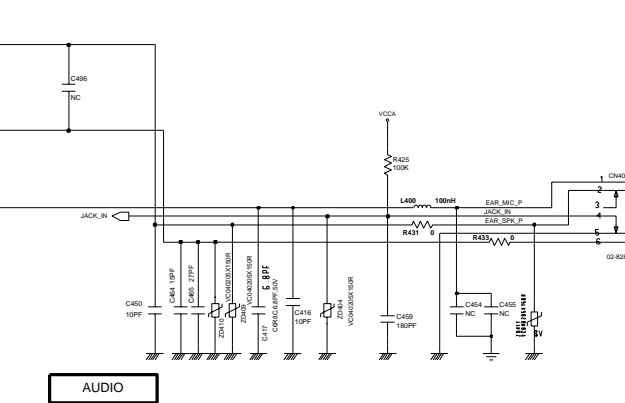
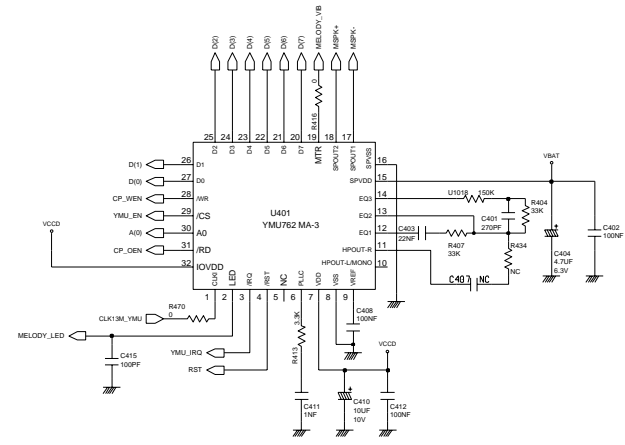
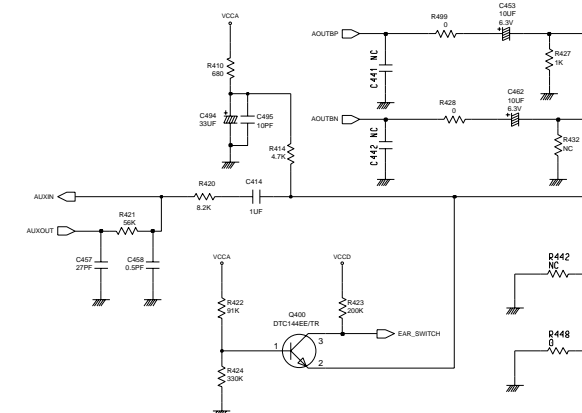
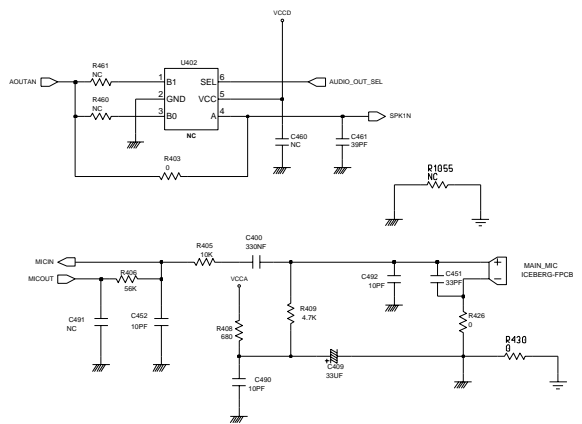
KEY

Engineer SEIZON	TITLE: SGH-E400	Site 53
Drawn by SEIZON		
RAD Chk		
DOC CTRL Chk MFG ENGR Chk		
COMPANY NAME Address City		



I/F CONNECTOR

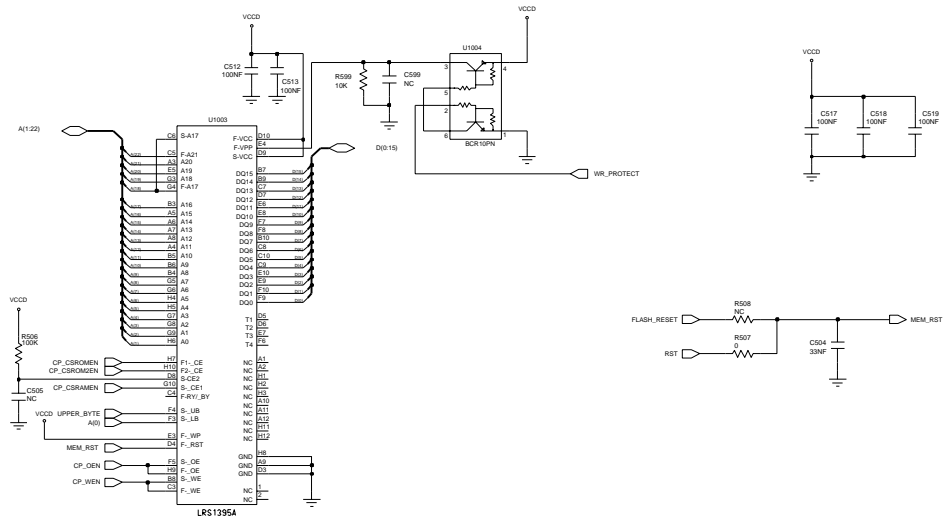
Engineer S620M	COMPANY NAME Address City	Site /31
Drawn by S620M		
RAD CHK	TITLE:	SGH-E400
DOC CTRL CHK		
MFG ENGR CHK		



AUDIO

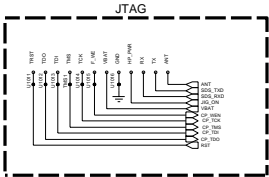
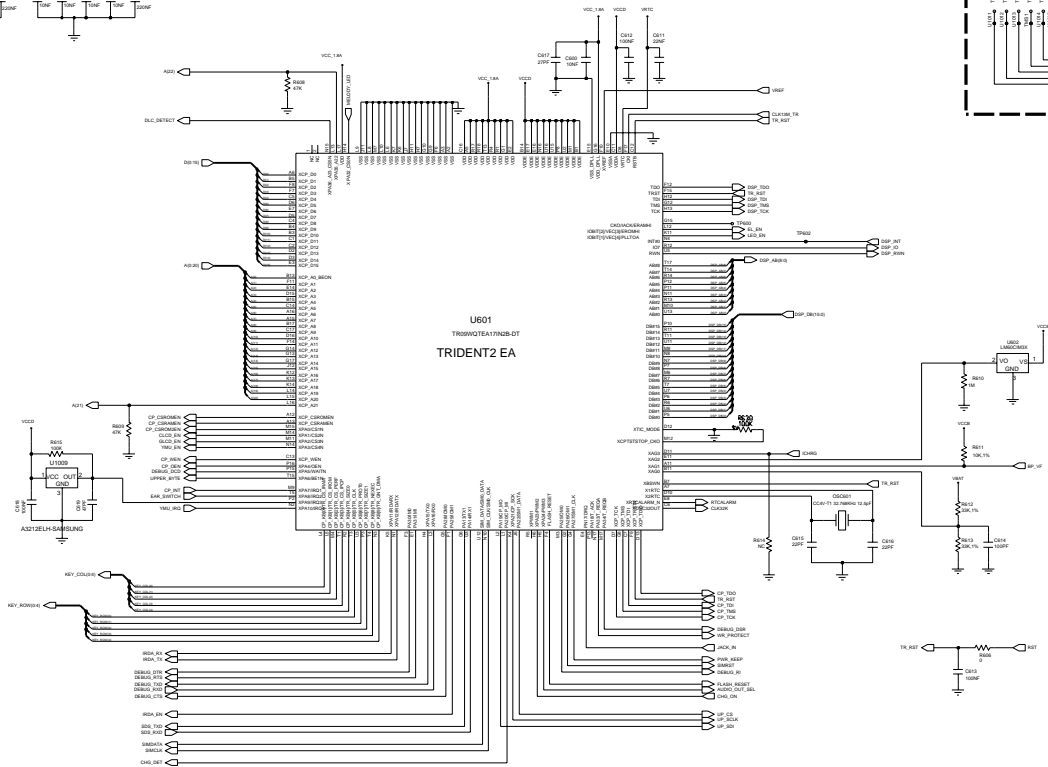
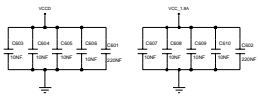
Engineer SSTOM Drawn by SSTOM RAD CHK DOC CTRL CHK MFG ENGR CHK	COMPANY NAME Address City TITLE: SGH-E400 DA CHK REV 1.0 Drawing Number Sheet 4 of 10
---	---

Changed by	Date Changed	2003.06.03	Time Changed	9:25:47 am
------------	--------------	------------	--------------	------------



MEMORY

Engineer SEIOW	COMPANY NAME		
Drawn by SEIOW	Address City		Site CB
R&D Chk	TITLE:	SGH-E400	
DOC CTRL CHR			
MFG ENGR CHR			

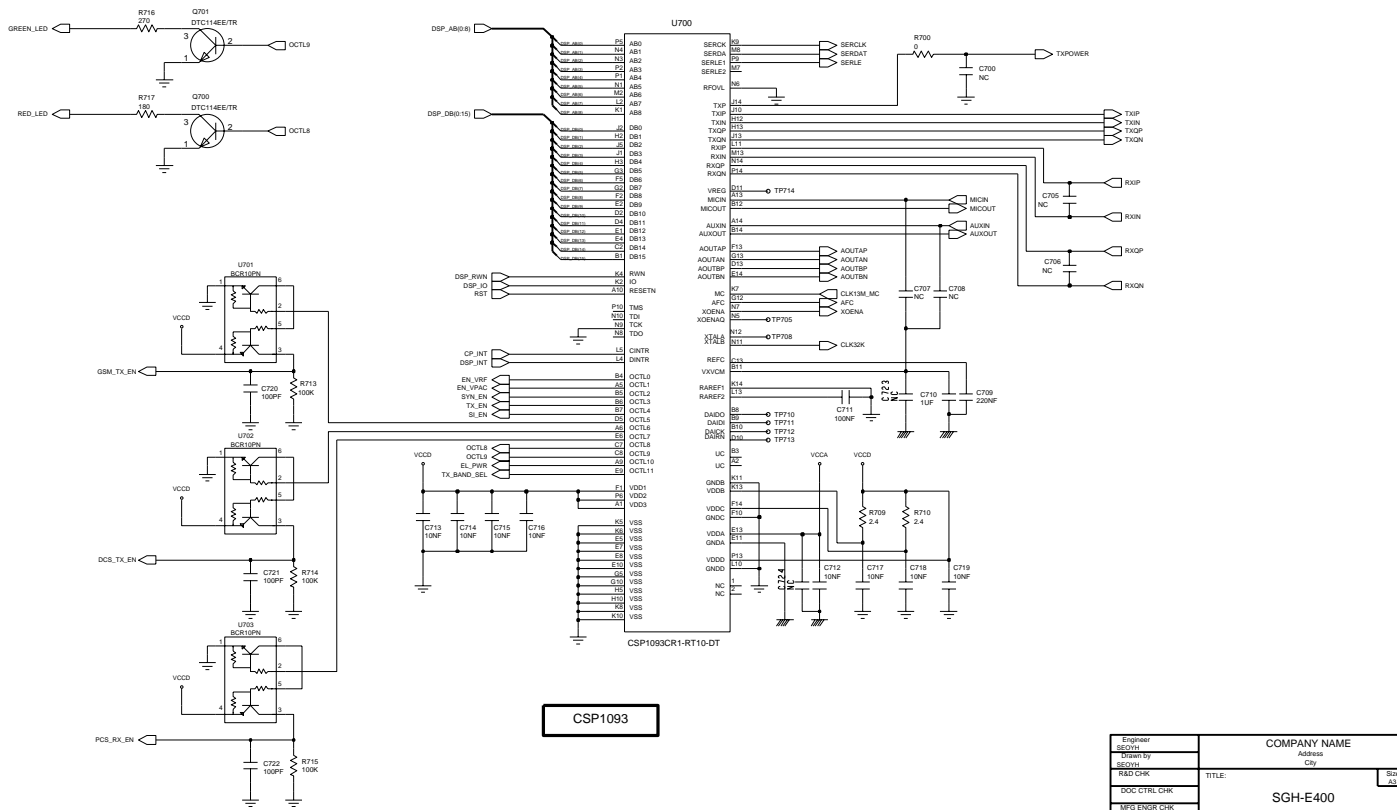


TRIDENT



COMPANY NAME	SGH-E400
ADDRESS	
PHONE	
FAX	
E-MAIL	
DATE OF ISSUE	
VERSION	

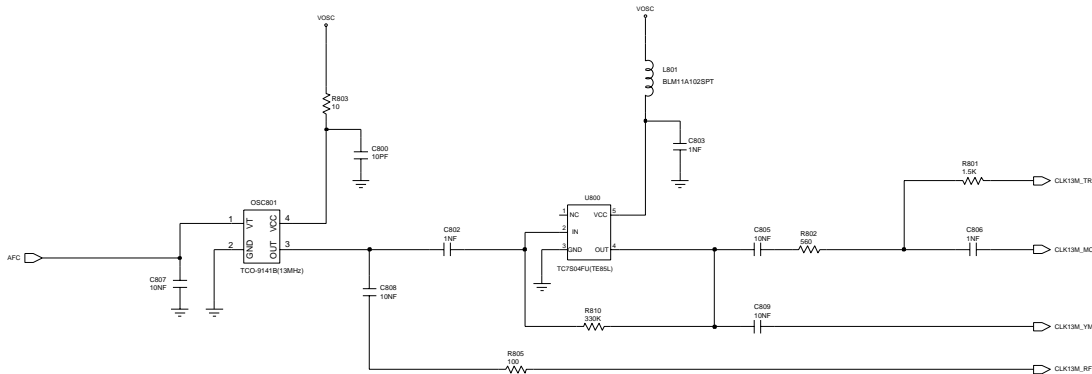
2003.06.03



CSP1093

CSP1093CR1-RT10-DT

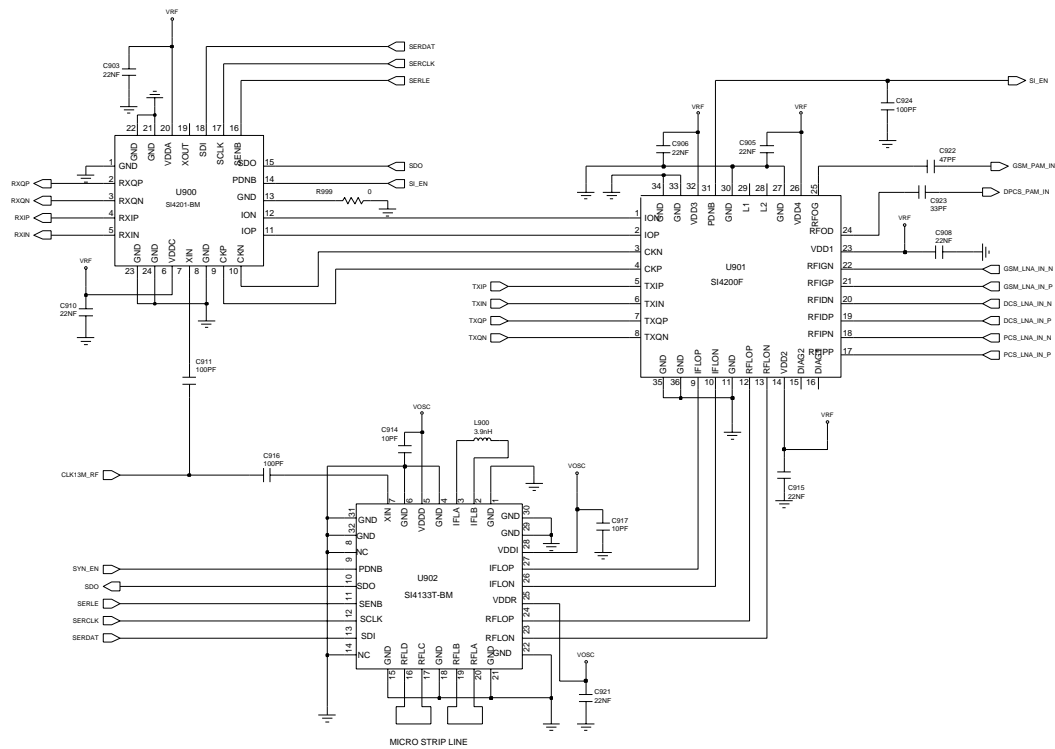
Engineer SIZON	COMPANY NAME	
Drawn by SIZON	Address City	
RAD Chk	TITLE:	Site 53
DOC CTRL Chk	SGH-E400	
MFG ENGR Chk		



X-TAL(13MHz)

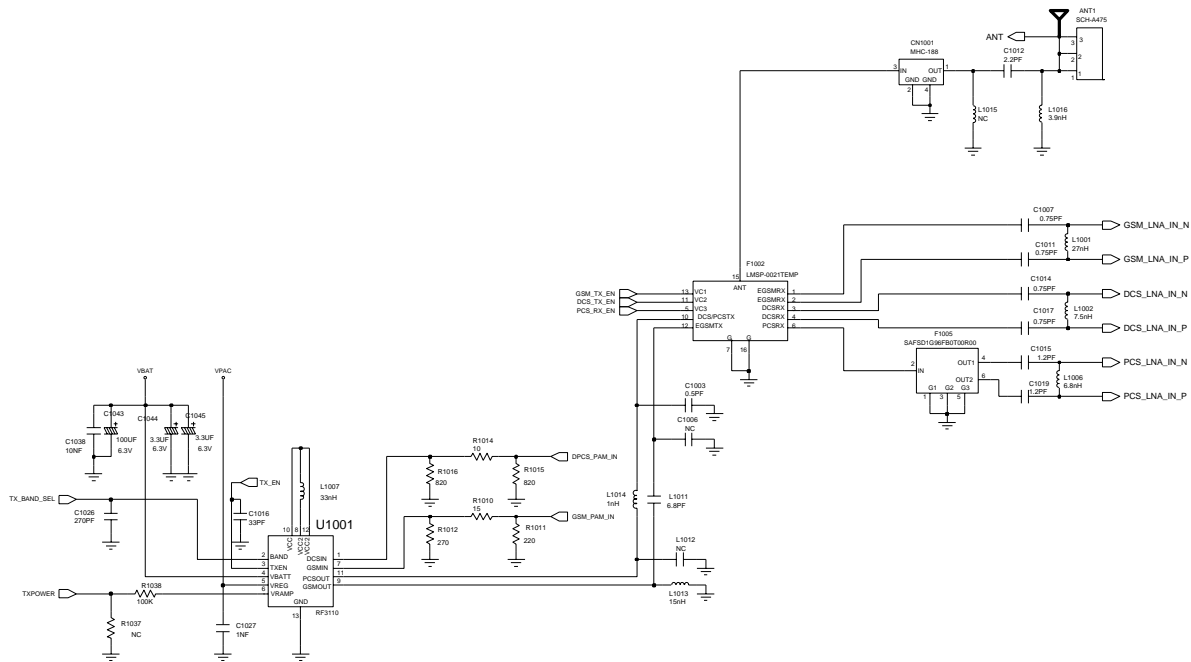
Engineer SIZUMI	COMPANY NAME	
Drawn by SIZUMI	Address City	
R&D Chk	TITLE:	Site No.
DOC CTRL CHK	SGH-E400	
MFG ENGR CHK		

Changed by cswr	Date Changed 2003.06.03	Time changed 10:26:43 am	DA Chk	REV 1.0	Drawing Number	Sheet 8	of 10
--------------------	----------------------------	-----------------------------	--------	------------	----------------	------------	-------



SI-LAB

Engineer SERTON	COMPANY NAME	Sheet
Drawn by SERTON	Address Cty.	53
R&D CHK	TITLE:	
DOC CTRL CHK		
MFG ENGR CHK		
	SGH-E400	



TRANSMITTER & RECEIVER

Engineer DESIGN Drawn by SGGW RAD CHK DOC CTRL CHK MFG ENGR CHK	COMPANY NAME Address City TITLE:	Site 53
SGH-E400		
Changed by count	Date Changed 2003.06.03	Time changed 10:25:17 am
DA CHK	REV 1.0	Drawing Number Sheet 10 of 10